



1" Super Slim Frameless Wall Mount
Fabric LED lightbox

Job Information <i>Fill out project details for this product below</i>			
Project		Location	
Contact		Date	
Product Number		Fixture Type	

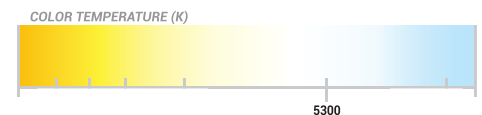
Essentials Lightbox Collection powered by the patented Essentials value light panels, this 1" lightbox provide bright and even illumination in a thin format. The 1" Essentials Lightbox has a sleek and modern look providing a premium aesthetic and a lower than expected cost.



APPLICATIONS

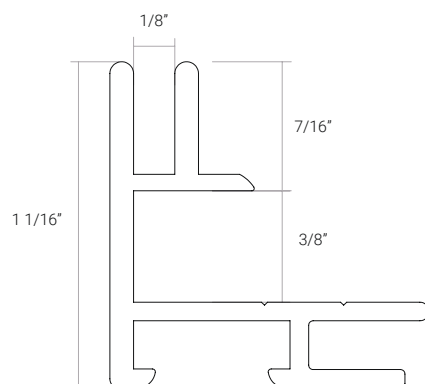
- Value Series
- Slim Profile
- Integrated Light Engine

LIGHT TEMPERATURE

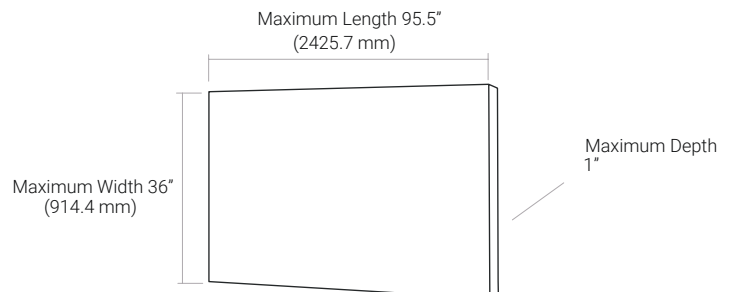


OVERVIEW

PROFILE VIEW



FRONT VIEW





1" Essentials Lightbox



1" Super Slim Frameless Wall Mount
Fabric LED lightbox

SPECIFICATIONS

PHYSICAL SPECIFICATIONS

Part Number	621801
Series	LLB
Color Temperature	5300 K
Mounting	Wall-mounted with z-bars or Euro Hanger
Operating Temperature	-30 °C (-22 °F) ~ +40 °C (+104 °F)
Environment	Dry / Damp location only (indoor)
Thickness	1 1/16"
Minimum Size	6" (76 mm) L x 6" (76 mm) W x 1 1/16" (26.9875 mm) D
Maximum Size	95.5" (2425.7 mm) L x 36" (914.4 mm) W
Weight	Approx 2.6 lbs/ sq ft.
Fabric Silicone Beading (Gasket) Size	Recommended .11"(2.8 mm) thick x 0.43" (11mm) deep

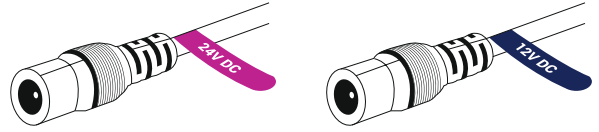
ELECTRICAL SPECIFICATIONS

Input Voltage	12V DC • 24V DC
Power Consumption	4.4 W/ft x 2 lit sides = 8.8 W/ft
Wire Size	20 AWG 2 wire (Standard)
Wiring	Each panel must have direct connection to power supply. Do not wire lightboxes in series. Maximum wire length 20 ft (6 m) to avoid voltage drop
Connector	Standard 5' (1500 mm)
Certification	UL listed (E346146) UL sign (E334549)



WIRING

• Determine your system components, including a power adaptor, as well as optional dimmer and controller. Use only UL certified power adaptors with the power output that coordinates with your input voltage. Do not apply 24V DC to 12V DC Light Guided Panel, as within seconds the result may be burned LEDs or fire. Look for our voltage tags at the end of the power cord.

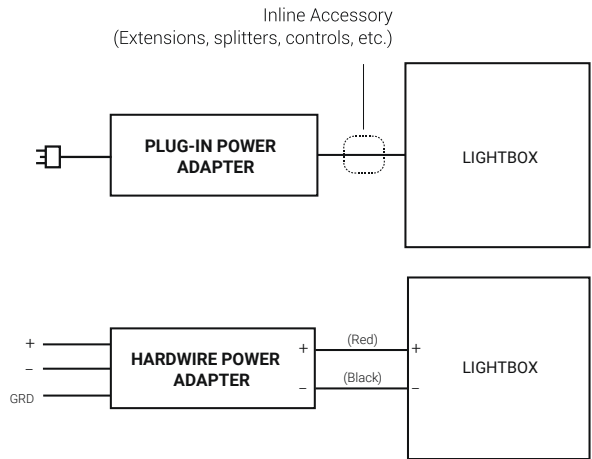


WIRING WITH PLUG-IN POWER ADAPTORS:

• Use a plug-in adaptor to connect the Light Guided Panel to your power source.

WIRING WITH HARDWIRE POWER ADAPTORS:

1. Turn off power to your system at the main breaker;
2. Install your system components. Refer to wiring guidelines for each component to build your system;
3. Check connections and turn on power at the main breaker.



WIRE EXIT LOCATION OPTIONS

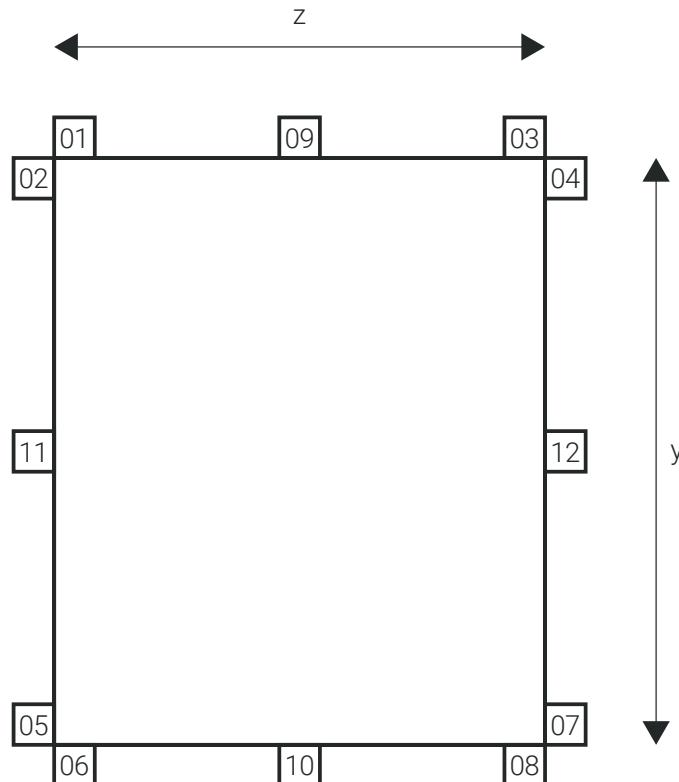
- 1, 3, 6, 8:** Corner Exit short side
- 2, 4, 5, 7:** Corner exit long side
- 9, 10:** Side Exit short side
- 11, 12:** Side exit long side

Chose wire exit(s) from above:

12V - Wattage <50W 1 wire; Wattage >50W 2 wires

24V - Wattage <75W 1 wire; Wattage >75W 2 wires

• Please consult with CSR if panel wattage is >100W





1" Super Slim Frameless Wall Mount
Fabric LED lightbox

ACCESSORIES AND OPTIONS

POWER ADAPTORS OPTIONS

Plug-in (Class 2)

950003	12V	60W
950021	24V	24W
950024	24V	90W
950035	24V	96W
950036	12V	60W
950036	24V	60W

Hardwire

951005	12V	60W
951009	12V	150W
951012	24V	60W
950037	12V	60W
950037	24V	60W
950038	24V	96W
950039	24V	150W

5 in 1 Dimming Driver

951003-12-060	12V	60W
951004-24-096	24V	96W
951006-24-192	24V	2x96W

Dimmable Driver

950007	12V	60W
951010	12V	150W

LED Power Driver (Class 2)

950003-12-060	12V	60W
---------------	-----	-----

* Other power options available on request

CONTROLLER OPTIONS

RF CCT Driver

951029	24V	90W
--------	-----	-----

RF CCT Wall Controller

970043	12-24VDC
--------	----------

DMX Wall Controller

970041	CCT Tunable	12-24VDC
--------	-------------	----------

* Other controller options available on request

CONNECTOR OPTIONS

DC jack 5'

80008	White
80006	Black

DC jack 10' (W)

80009	White
80007	Black

2 pin connector cable 5'

980048	White
980049	Black

Omnify Connector Hub

980047	White
--------	-------

MOUNTING OPTIONS

Option 1	Z-Bars
Option 2	Hanging Cables



1" Essentials Lightbox



1" Super Slim Frameless Wall Mount
Fabric LED lightbox

ORDER INFORMATION

Product #	Size	Color Temperature	Voltage	Connectors	Mounting Options
621801 Essentials Lightbox 1"	z-y: Custom Size	530- 5300 K	12 12V DC 24 24V DC	80008 DC jack 5' White 80006 DC jack 5' Black 80009 DC jack 10' White 80007 DC jack 10' Black 980048 2 Pin Connector 5' cable White 980049 2 pin Connector 5' cable Black 980047 Omnify Connector Hub	1 Z-Bars 2 Hanging Cables 3 Euro Hanger

EXAMPLE

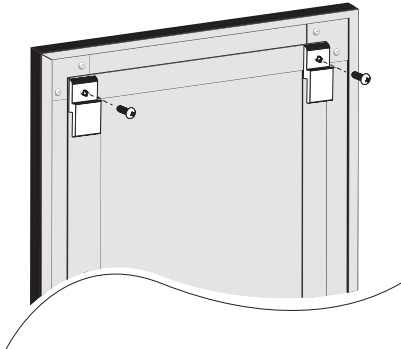
621801-11X14-530-12-80008-1

The specification number immediately above can be deconstructed as follows:

- Essentials Lightbox 1"; Dimensions(CS)-11"X 14"; Color Temperature-5300K; 12V (12); DC Jack 5' White (80008); Mounting Z-Bars (1)

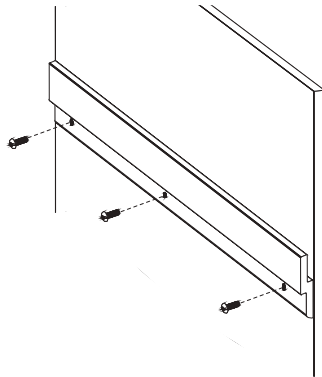


MOUNTING INSTRUCTIONS



Apply Slat-Wall mounting hanger and screw on Frame Back

1. Place the supplied Slat-Wall mounting hangers on frame back screw tighten securely
2. Make Drill Hole on wall for screw locations and make the screw holds
3. Place Slat-Wall mounting base on wall and screw tight
4. Hold frame in position close to the wall and slide from top to bottom into the trace



Apply Slat-Wall mounting base and screw on Wall

SIDE VIEW

