



ROHS

3 YEAR WARRANTY

IP67

Class 2 Driver

24V / 60W

Part #950037-24-060

Job Information <i>Fill out project details for this product below</i>			
Project		Location	
Contact		Date	
Product Number		Fixture Type	

24V / 60W constant voltage hardwire power driver with UL Class 2 certification.

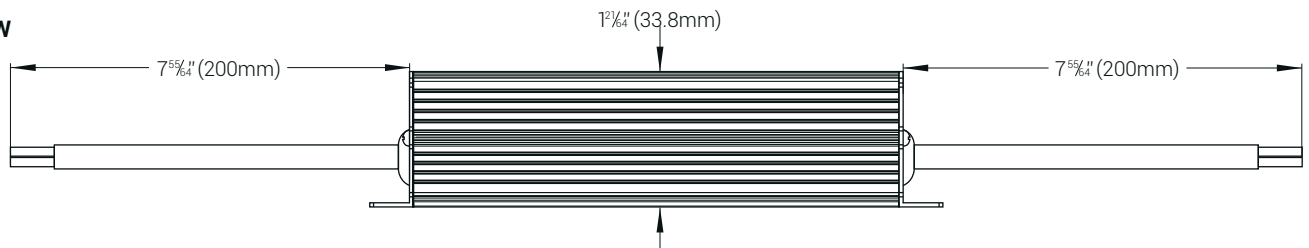


KEY FEATURES & BENEFITS

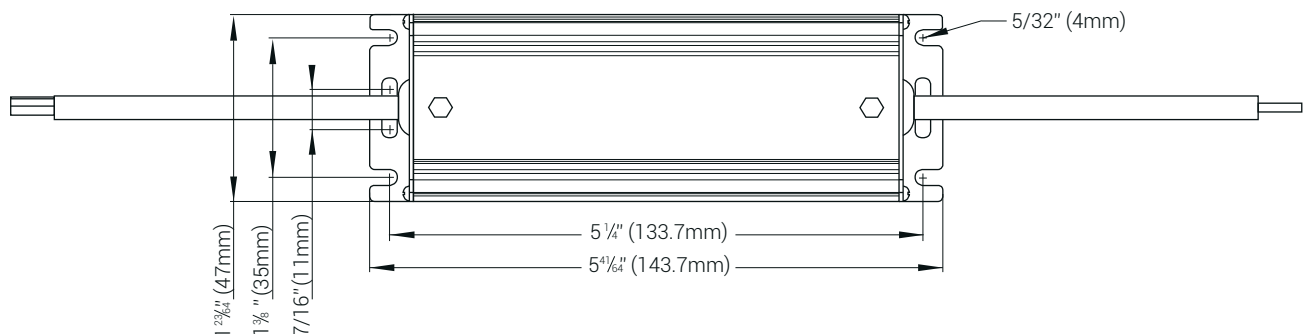
- Consistent voltage design
- Universal AC Input / Full range
- IP67 rating
- Working temperature -25°C~+50°C
- Protection: Over T° / Overload / Short-circuit
- Typical efficiency: 88%
- CE/UL/ RoHS/REACH compliant
- 100% full load burn-in test

OVERVIEW

PROFILE VIEW



TOP VIEW





ROHS

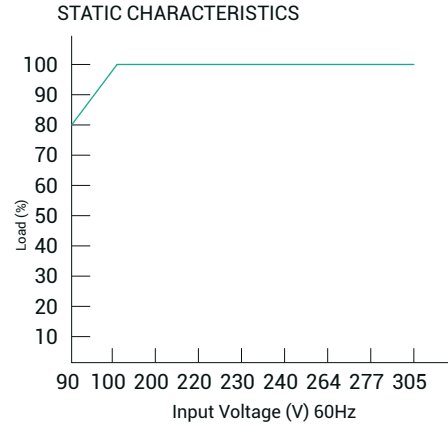
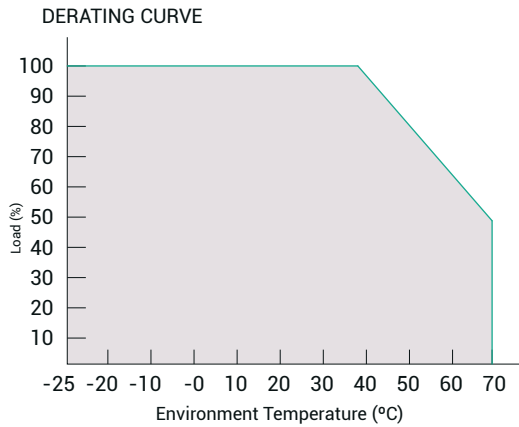
3 YEAR WARRANTY



Class 2 Driver

24V / 60W

Part #950037-24-060



SPECIFICATIONS

Model

Part Number 950037-24-060

Output

DC Voltage 24V

Rated Current 2.5A

Current Range 0-2.5A

Rated Power 60W

Ripple and Noise (max.)⁴ 240mVp-p

Voltage Tolerance³ +/- 2%

Line Regulation +/-0.5%

Load Regulation +/-1%

Output groups 1

Setup, Rise Time⁵ 2000ms, 50ms (at full load) 110Vac / 230Vac

Hold Up Time (Typ.) 15ms (at full load) 110 Vac / 230 Vac

Input

Voltage Range² 90~305Vac

Frequency Range 47~63Hz

Power Factor PF>0.50/110V (at full load) PF>0.45/230V (at full load)

Efficiency 88%

AC Current 1.35A/110Vac 0.65A/230Vac

Inrush Current Cold Start: 55A/230Vac

Certification UL Listed (E513713)



ROHS



Class 2 Driver

24V / 60W

Part #950037-24-060

Leakage Current	<0.75mA/240Vac
Protection	
Overloading	102%-130% of the rated output power Protection mode: Constant current limiting, recovers automatically after the load reduced
Short-Circuit	Protection type: Hiccup mode, recovers automatically after fault conditions removed
Over Voltage	24.5-35.0V Protection type: Hiccup mode, recovers automatically after fault conditions removed
Over Temperature	Ta: 55°C-65°C Protection type: Shut down O/P voltage, recovers automatically after temperature goes down
Environment	
Working temperature	-25°C~+50°C
Working Humidity	10%-90%RH, non condensing
Storage Temperature and Humidity	-25°C~+75°C, 5%~95%RH
Temperature Coefficient	+/-0.05%/°C (0~40°C)
Vibration-Proof	10-300Hz, 1G 10 min/cycle, period for 60 minutes, each along X, Y, Z axes
Safety and Regulatory and EMC	
Safety Standards	Compliance to UL8750, EN61347-1, EN61347-2-13, IP67 waterproof rating
Withstand Voltage	I/P-O/P: 3.75KVAC I/P-FG: 1.875KVAC O/P-FG: 0.5KVAC
Insulation Resistance	I/P-O/P, I/P-FG, O/P-FG: 100Mohms/500Vdc 25°C/70%RH
Others	
MTBF	>200Khrs, MIL-HDBK-217F (25°C)
Dimension	143.7x47x33.8mm • 5.66"x1.85"x1.33" (L*W*H)

ORDER INFORMATION

Product #	Voltage	Wattage
950037	24-24V DC	60-60W

EXAMPLE

950037-24-60

The specification number immediately above can be deconstructed as follows:

- Hardwire Power Driver; Voltage-24V DC;Wattage-60W

NOTES

1. All parameters NOT specially mentioned are measured at 230VAC input, rated load and 25°C of ambient temperature
2. Derating may be needed under low input voltages. Please check the static characteristics of more details
3. Tolerance: Includes set up tolerance, line regulation and load regulation
4. Ripple & noise are measured at 20MHz of bandwidth by using twisted pair-wire terminated with a 0.1uf & 47uf parallel capacitor
5. The start time was tested under the situation of cold start, continuous switching on/off may raise the start time