



ROHS

3 YEAR WARRANTY

IP67

24V / 150W

Part# 950039-24-150

Job Information <i>Fill out project details for this product below</i>			
Project		Location	
Contact		Date	
Product Number		Fixture Type	

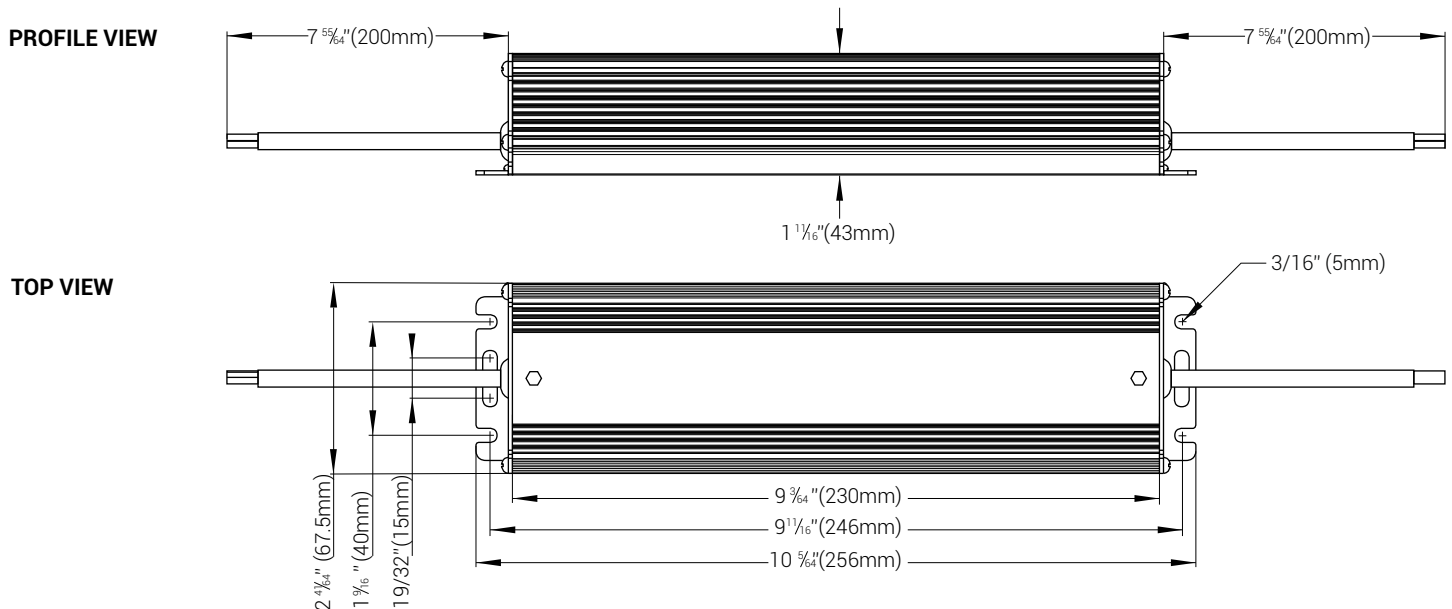
24V / 150W constant voltage hardwire power driver with UL certification.

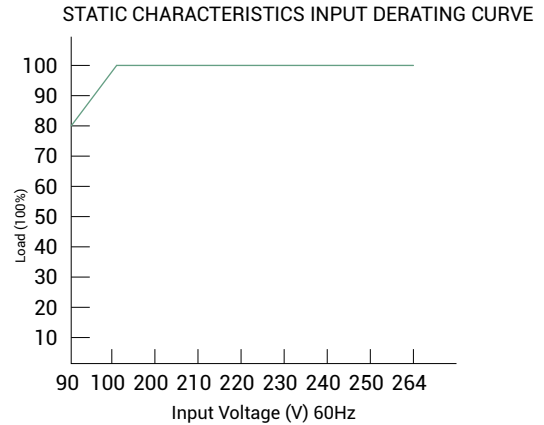
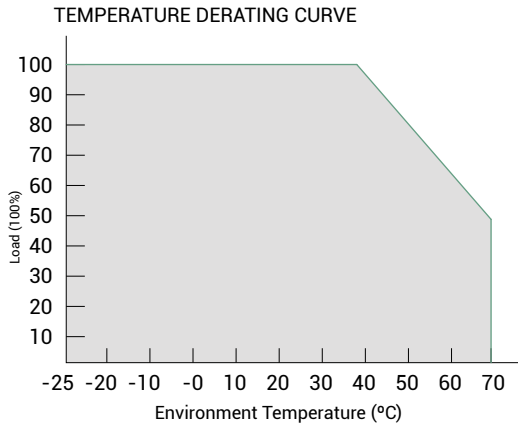


KEY FEATURES & BENEFITS

- Consistent voltage design
- Wide voltage input
- IP67 rating
- Working temperature -25°C~+50°C
- Protection: Over T° / Overload / Short-circuit
- Typical efficiency: 89%
- UL/RoHS compliant
- 100% full load test

OVERVIEW





SPECIFICATIONS

Part Number	950039-24-150
Output	
DC Voltage	24V
Rated Current	6.25A
Current Range	0~6.25A
Rated Power	150W
Ripples and Noise (Max.) ⁴	240mVp-p
Voltage Tolerance ³	+/-2%
Line Regulation	+/-0.5%
Load Regulation	+/-1%
The Group Of Output	1
Setup, Rise Time ⁶	2000ms, 50ms (When fully loaded) 110Vac / 230 Vac
Hold Up Time (Typ.)	15ms (When fully loaded) 110Vac / 230 Vac
Input	
Voltage Range ²	90~264Vac or 127~374Vdc
Frequency Range	47~63Hz
Power Factor	PF > 0.5/110V (When fully loaded) PF>0.45/230V (When fully loaded)
Efficiency	89%
AC Current	3.25A/110 Vac 1.72A/230Vac
Inrush Current	Cold Start: 60A/230Vac
Leakage Current	<0.75mA/120Vac
Certification	UL Listed (E513713)



ROHS

3 YEAR WARRANTY



24V / 150W

Part# 950039-24-150

Protection

Overloading	104% to 125% of the rated output power Protection mode: Restrict the current, self-recovery when the load decreases
Short-Circuit	Protection type: Hiccup mode, self-recovery when failure to removed
Over Voltage	24.5-35V Protection type: Hiccup mode, self-recovery when failure to removed
Over Temperature	Ta:55~65° Protection type: Power off the output voltage, self-recovery when the temperature reduced

Environment

Operating Temperature	-25~+50°
Operating Humidity	10%~90%RH, No condensation
Storage Temperature and Humidity	-25°C~+75°C, 5%~95%RH
Temperature Coefficient	+/-0.05%/°C (0~40°C)
Vibration-Proof	10-300Hz, 1G 10 minutes/cycle, X, Y, Z axis each 60 minutes

Safety and Regulatory and EMC

Safety and Regulatory	Compliance to UL8750, EN61347-1, EN61347-2-13, IP67 waterproof rating
HI-POT	I/P-O/P: 3.75KVAC I/P-FG 1.875KVAC O/P-FG: 0.5KVAC
Insolation Resistance	I/P-O/P, I/O-FG, O/P-FG: 100Mohms/500Vdc 25°C/70%RH

Others

MTBF	>200Khrs, MIL-HDBK-217F (25°C)
Dimension	256x67.5x43mm • 10.1"x2.66"x1.7" (L*W*H)

ORDER INFORMATION

Product #	Voltage	Wattage
950039	24-24V DC	150-150W

EXAMPLE

950039-24-150

The specification number immediately above can be deconstructed as follows:

- Hardwire Power Driver; Voltage-24V DC;Wattage-150W

NOTES

1. All the specifications and parameters are measured under the conditions of input voltage 230VAC, load rated and environment temperature 25°C unless special instruction
2. Derating output is required under low input voltage, specifically refer to the static characteristic curve
3. Tolerance: design error, line regulation and load regulation are included
4. The way to measure ripple and noise: to measure under 20Mhz bandwidth using twist-pair, meantime parallel the capacitor of 0.1uf and 47uf in terminal
5. The driver is regarded as one component to be used with the terminal device, so EMC is affected by the whole device, the terminal manufacturer need to confirm EMC of the whole device
6. Setup time is measured under cold start, uninterrupted switch on and off may prolong the setup time