

Job Information <i>Fill out project details for this product below</i>			
Project		Location	
Contact		Date	
Product Number		Fixture Type	

A versatile power supply capable of dimmable output allowing you to control your light level and ambience. Multi-channel ability provides constant voltage power for a wide range of lighting applications.



KEY FEATURES



5 in 1 Dimming



IP65 Rating



0-100% Dim

APPLICATIONS

- Backlighting
- Large Formats
- Backlit Stone
- Backlit Graphics

OVERVIEW



- 5 in 1 Dimming: Triac / phase, 0-10V, 1-10V, Potentiometer, 10V PWM
- Protection Against Short Circuit / Over Load / Over Temperature
- Built-in active PFC Function
- Power Factor : up to 0.98
- Efficiency up to 85%
- Flicker-Free

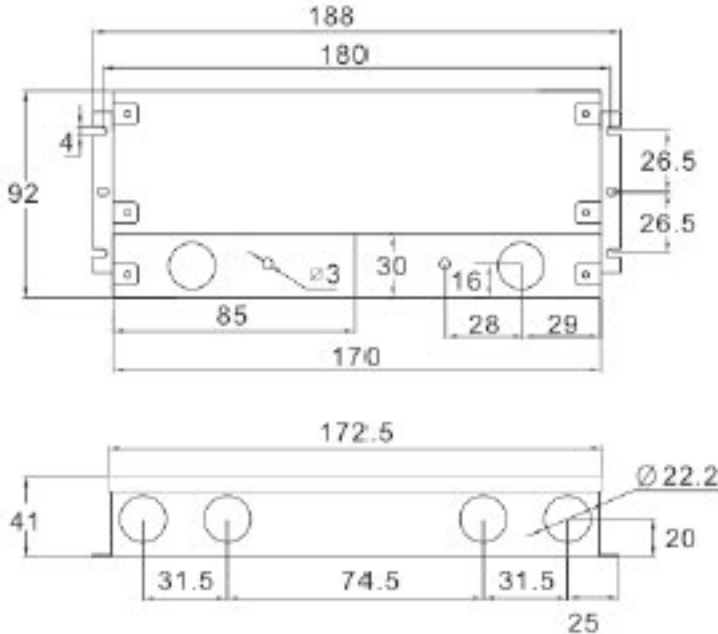
SPECIFICATIONS

Model #	PA-DWJ-12060
Part Number	951003-12-060
Output	
DC Voltage	12V
Rated Current	5A
Rated Power	60W
Voltage Tolerance	0.5V
Voltage Regulation	±0.5%
Load Regulation	±1%
Input	
Voltage Range	100-277VAC
Frequency Range	47-63Hz
Power Factor(Typ.) @ full load	0.98@120VAC 0.95@277VAC
THD (Typ.) @ full load	<20%
Efficiency(Typ.) @ full load	83%@120V 85%@277VAC
AC Current(Max.)	0.5A@100VAC
Inrush Current (Typ.)	14A, 50%, 780us@120Vac ; 15A, 50%, 660us@277Vac
Leakage current	<0.50mA
Protection	
Short Circuit	Shut down o/p voltage, re-power on to recover after fault condition is removed
Over Loading	≤120% Hiccup mode ,recovers automatically after fault condition is removed
Over Temperature	100°C±10°C shut down o/p voltage, automatically recover after cooling
Environment	
Working TEMP.	-40~+60°C (see below derating curve)
Working Humidity	20~90%RH, non-condensing
Storage TEMP. Humidity	-40~+80°C, 10~95%RH
TEMP .coefficient	±0.03%/°C (0C°~50C°)
Vibration	10~500Hz, 5G 10min./1 cycle,period for 60min. each along X,Y,Z axes
Safety & EMC	
Safety standards	UL8750+UL1310
Withstand voltage	I/P-O/P:1.88KVAC
Isolation resistance	I/P-O/P:100MΩ/500VDC/25°C/70%RH
EMC EMISSION	FCC Part 15 B
Others	
Net. Weight	1.1Kg
Size	188*92*41mm (L*W*H)
Packing	10PCS/CTN

NOTES

1. All parameters if NOT specially mentioned are measured at 120VAC input , rated load and 25°of ambient temperature.
2. To extend the driver's using life, please reduce the loading at lower input voltage.

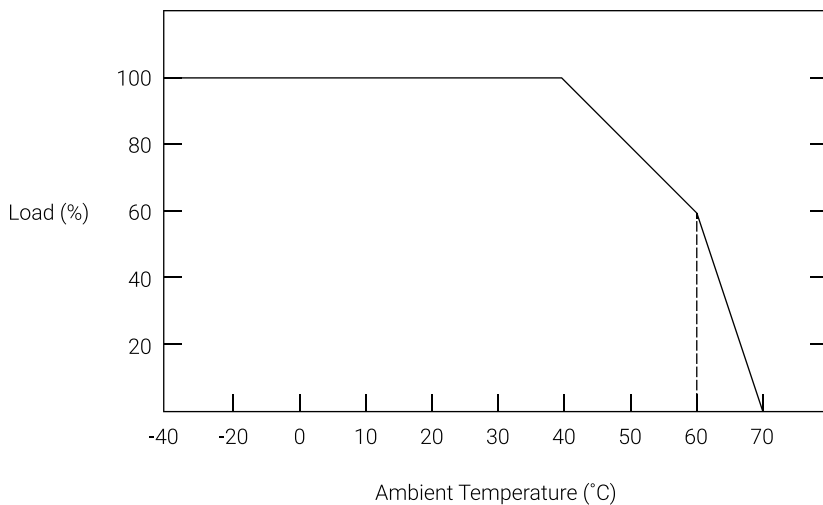
OVERVIEW



- Input wire Black and White to be connected to AC L and N ,Green wire go ground.
- Output wire Red to LED Positive side (+) , Black to LED Negative side (-).
- Dimming cable DIM (+) Purple to 0/1-10V dimmer signal(+),DIM (-) Grey to 0/1-10V dimmer signal (-).

⚠ Please make sure your connect these correctly otherwise your product will not function correctly and could be damaged.

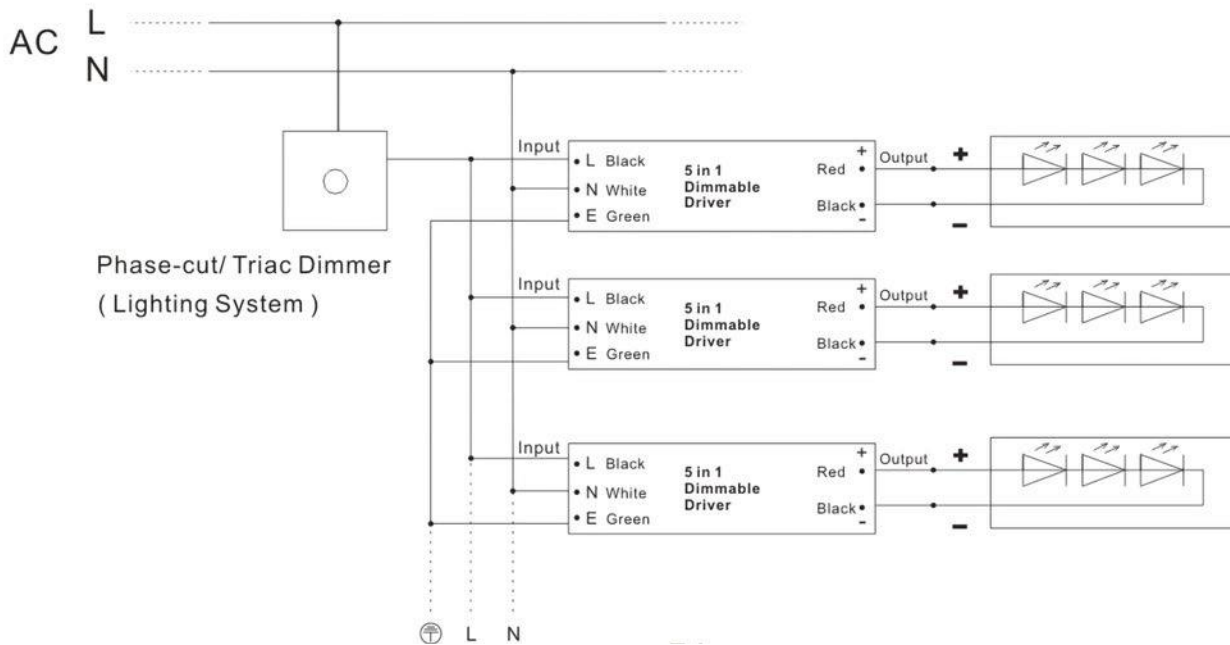
DERATING CURVE



• To extend their life, please refer to the Derating Curve and derate according to the temperature.

CONNECTING DIAGRAM

USING TRIAC/PHASE CUT DIMMING



NOTES

1. The Pulse-Width Modulation (PWM) of output voltage can be adjusted through input terminal of the AC phase line(L) by connection a phase /Triac dimmer of lighting system.
2. Work with forward phase /leading edge ,MLV and reverse phase /trailing edge ,ELV,TRIAC dimmers.
3. Please try to use dimmers with power at least 1.5 times as the output power of the driver.

CONNECTING DIAGRAM

DIAGRAM 1

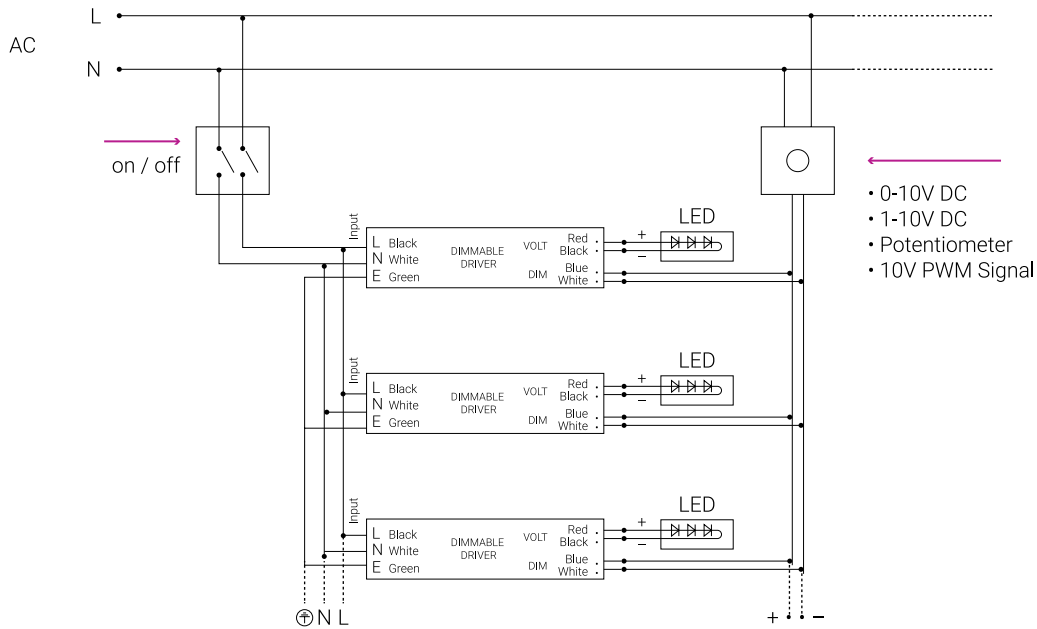
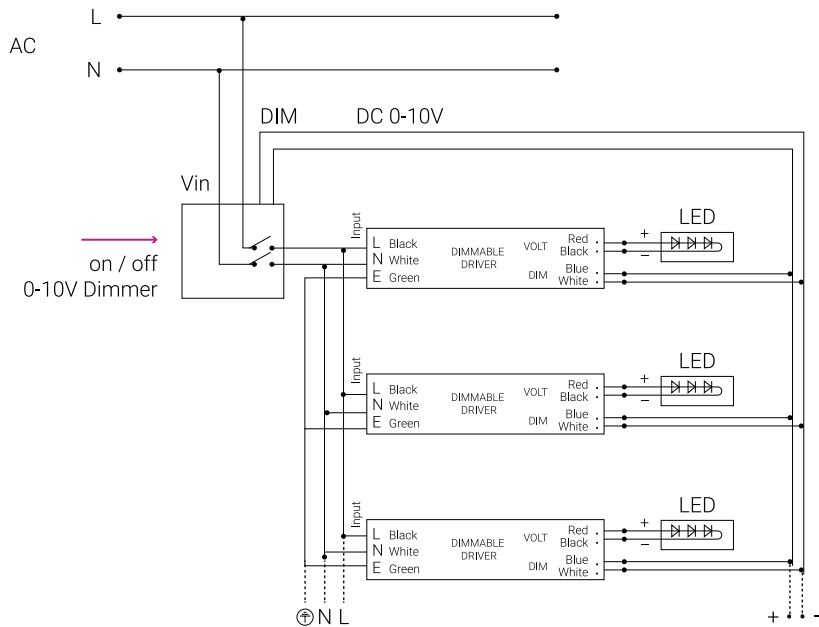


DIAGRAM 2





5 in 1 Dimming Driver

RoHS

FC



Class 2 Driver 12V / 60W

ORDER INFORMATION

Product #	Voltage	Wattage
951003	12-12V DC	60 60 W

EXAMPLE

951003-12-060

The specification number immediately above can be deconstructed as follows:

- 12V 60W Class 2; Voltage-12V; Wattage-60W

INSTRUCTIONS & DIMMER LIST

1. This driver should be installed by a qualified, licensed electrician.
2. Please make sure the driver is installed with proper ventilation to allow heat dissipation.
3. Ensure that wiring is correct before test in order to avoid light and power supply damage.
4. If the driver does not work, please don't disassemble, modify or repair the driver. Please contact Omnify for technical support.

0-10V COMPATIBLE DIMMER LIST

Dimmer Brand	Model Number	Input Voltage	Dimming Range	Remark
Arrow Hart	DF10P-C1	120-277	5-100%	Dimmer with spin button (adjust max. dimming)
Lutron	DVSTV-WH	120-277	9-100%	Dimmer with spin button (adjust min. dimming 9%-25%)
	DVTV-WH	120-277	9-100%	

INSTRUCTIONS

TRIAC COMPATIBLE DIMMER LIST

Dimmer Brand	Model Number	Input Voltage	Dimming Range	Phase	Remark
LUTRON	SCL-153PR-WH	100-130V	0-100%	Forward Phase	Dimmer with spin button (adjust min. dimming 0-30%)
	DVCL-153PR-WH	100-130V	0-100%	Forward Phase	
	DVWCL-153PH-LA	100-130V	0-100%	Forward Phase	
	CTCL-153PDH-LA	100-130V	0-100%	Forward Phase	
	TGCL-153PR-WH	100-130V	0-100%	Forward Phase	
	TGCL-153PH-WH	100-130V	0-100%	Forward Phase	
	MACL-153MH-LA	100-130V	1-100%	Forward Phase	
	MIR-600M	100-130V	1-100%	Forward Phase	
	CT-600PR-IV	100-130V	0-100%	Forward Phase	
	CT-600PR-WH	100-130V	0-100%	Forward Phase	
	CT-103PR-WH	100-130V	0-100%	Forward Phase	
	DV-600PR-BL	100-130V	0-100%	Forward Phase	
	DV-600PR-WH	100-130V	0-100%	Forward Phase	
	TG-600PR-LA	100-130V	0-100%	Forward Phase	
	TG-600PR-IV	100-130V	0-100%	Forward Phase	
	TG-600PR-WH	100-130V	0-100%	Forward Phase	
	TG-10PR-WH	100-130V	0-100%	Forward Phase	
	S-600PR-WH	100-130V	0-100%	Forward Phase	
	MRF2-6ND-120-AL	100-130V	0-100%	Forward Phase	
	MRF2-6CL-GR	100-130V	1-100%	Forward Phase	
	DZ6HD	100-130V	3-100%	Forward Phase	
	PD-6WCL	100-130V	1-100%	Forward Phase	
	SELV-300P	100-130V	1-100%	Forward Phase	
	MSCELV-600M	100-130V	0-100%	Forward Phase	
	MEF2-6ELV-120	100-130V	0-100%	Forward Phase	
	NTLV-600-277-WH	277V	0-100%	Forward Phase	
	ST-12P-277	277V	3-100%	Forward Phase	
NTF-10-277	277V	0-100%	Forward Phase		
LEVITON	VPI06-1LZ	120V	1-100%	Forward Phase	
	TTI06-1LZ	120V	1-100%	Forward Phase	
	IPL06	120V	0-100%	Forward Phase	
	DZ6HD	120V	1-100%	Forward Phase	
	6674	120V	1-100%	Forward Phase	
	6672	120V	1-100%	Forward Phase	
	TBL03	120V	1-100%	Forward Phase	
	6602	120V	0-100%	Forward Phase	
	6683	120V	0-100%	Forward Phase	
LEGRAND	RHCL453PNICCV6	120V	1-100%	Forward Phase	
	WSCL450TCCCV4	120V	0-100%	Forward Phase	
	LSCL453PLACCV4	120V	0-100%	Forward Phase	
CRESTRON	CLW-DELVEX-P-W-S	120V	0-100%	Forward Phase	