

| Job Information <i>Fill out project details for this product below</i> | | | |
|--|--|--------------|--|
| Project | | Location | |
| Contact | | Date | |
| Product Number | | Fixture Type | |

A versatile power supply capable of dimmable output allowing you to control your light level and ambience. Multi-channel ability provides constant voltage power for a wide range of lighting applications.



KEY FEATURES



5 in 1 Dimming



IP65 Rating



0-100% Dim

APPLICATIONS

- Backlighting
- Large Formats
- Backlit Stone
- Backlit Graphics

OVERVIEW



- 5 in 1 Dimming Triac / phase, 0-10V, 1-10V, Potentiometer, 10v PWM
- Protection Against Short Circuit / Over Load / Over Temperature
- Built in Active PFC Function
- Efficiency up to 86%
- Power Factor : up to 0.98
- Flicker-free

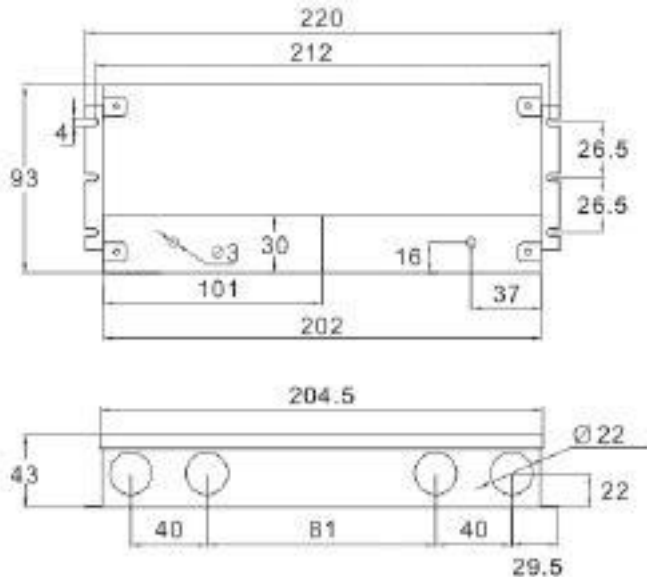
SPECIFICATIONS

| | |
|--------------------------------|--|
| Model # | PA-DWJ-24096 |
| Part Number | 951004-24-096 |
| Output | |
| DC Voltage | 24V |
| Rated Current | 4A |
| Rated Power | 96W |
| Voltage Tolerance | ±0.5V |
| Voltage Regulation | ±0.5% |
| Load Regulation | ±1% |
| Input | |
| Voltage Range | 100-277VAC |
| Frequency Range | 47-63Hz |
| Power Factor(Typ.) @ full load | 0.98@120VAC 0.95@277VAC |
| THD (Typ.) @ full load | <20% |
| Efficiency(Typ.) @ full load | 83% @120Vac 86%@277Vac |
| AC Current(Max.) | 1.3A@100VAC |
| Inrush Current (Typ.) | 20A, 50%, 1.6ms |
| Leakage current | <0.50mA |
| Protection | |
| Short Circuit | Shut down o/p voltage, re-power on to recover after fault condition is removed |
| Over Loading | ≤120% constant current limiting, auto-recovery |
| Over Temperature | 100°C±10°C shut down o/p voltage, automatically recover after cooling |
| Environment | |
| Working TEMP. | -40~+60°C (see below derating curve) |
| Working Humidity | 20~90%RH, non-condensing |
| Storage TEMP. Humidity | -40~+80°C, 10~95%RH |
| TEMP .coefficient | ±0.03%/°C (0°C~50°C) |
| Vibration | 10~500Hz, 5G 10min./1 cycle,period for 60min. each along X,Y,Z axes |
| Safety & EMC | |
| Safety standards | UL8750+UL1310 |
| Withstand voltage | I/P-O/P:1.88KVAC |
| Isolation resistance | I/P-O/P:100MΩ/500VDC/25°C/70%RH |
| EMC EMISSION | FCC Part 15 B |
| Others | |
| Net. Weight | 1.3Kg |
| Size | 220*93*43mm (L*W*H) |
| Packing | 10PCS/CTN |

NOTES

1. All parameters if NOT specially mentioned are measured at 120VAC input , rated load and 25°of ambient temperature.
2. To extend the driver's using life, please reduce the loading at lower input voltage.

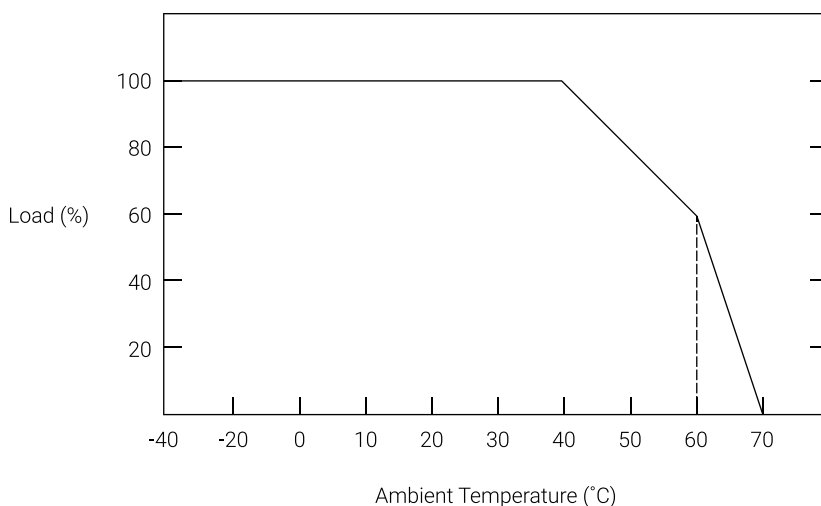
OVERVIEW



- Input wire Black and White to be connected to AC L and N ,Green wire go ground.
- Output wire Red to LED Positive side (+) , Black to LED Negative side (-).
- Dimming cable DIM (+) Purple to 0/1-10V dimmer signal(+),DIM (-) Grey to 0/1-10V dimmer signal (-).

⚠ Please make sure your connect these correctly otherwise your product will not function correctly and could be damaged.

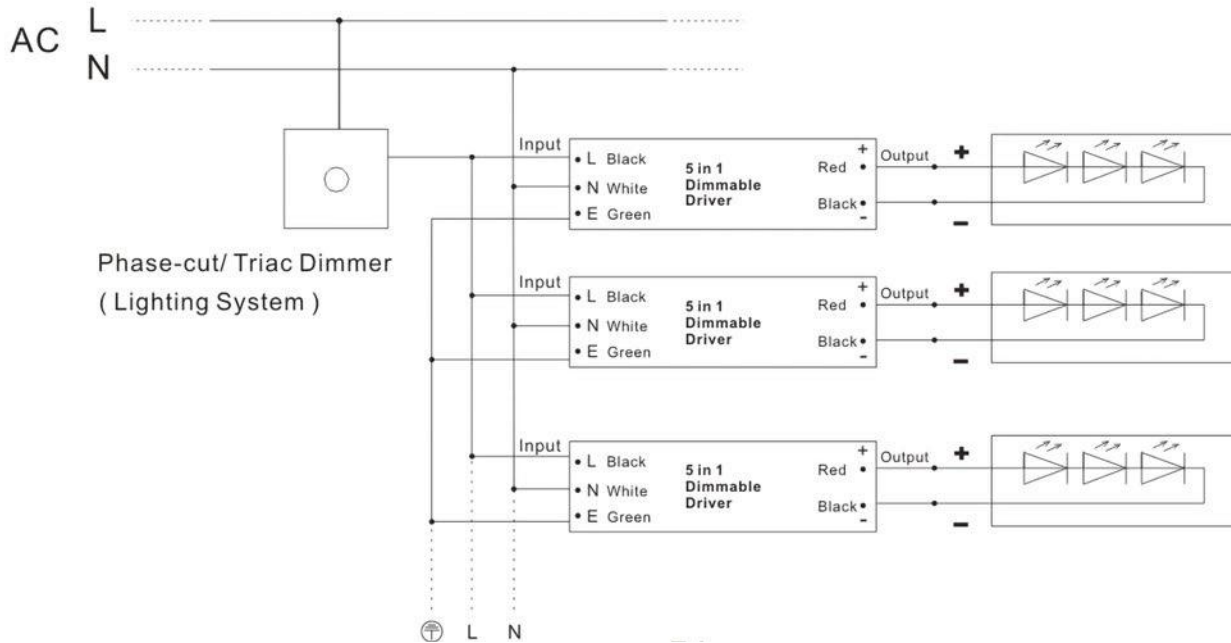
DERATING CURVE



- To extend their life, please refer to the Derating Curve and derate according to the temperature.

CONNECTING DIAGRAM

USING TRIAC/PHASE CUT DIMMING



NOTES

1. The Pulse-Width Modulation (PWM) of output voltage can be adjusted through input terminal of the AC phase line(L) by connection a phase /Triac dimmer of lighting system.
2. Match with leading edge and trailing edge Triac dimmer or lighting system.
3. Please try to use dimmers with power at least 1.5 times as the output power of the driver.

CONNECTING DIAGRAM

DIAGRAM 1

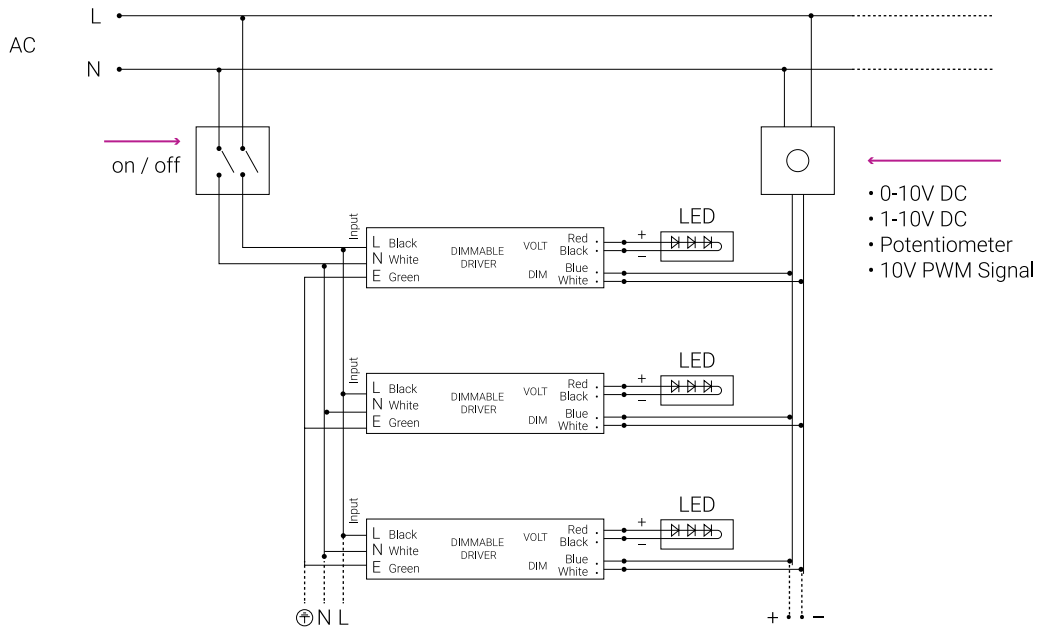
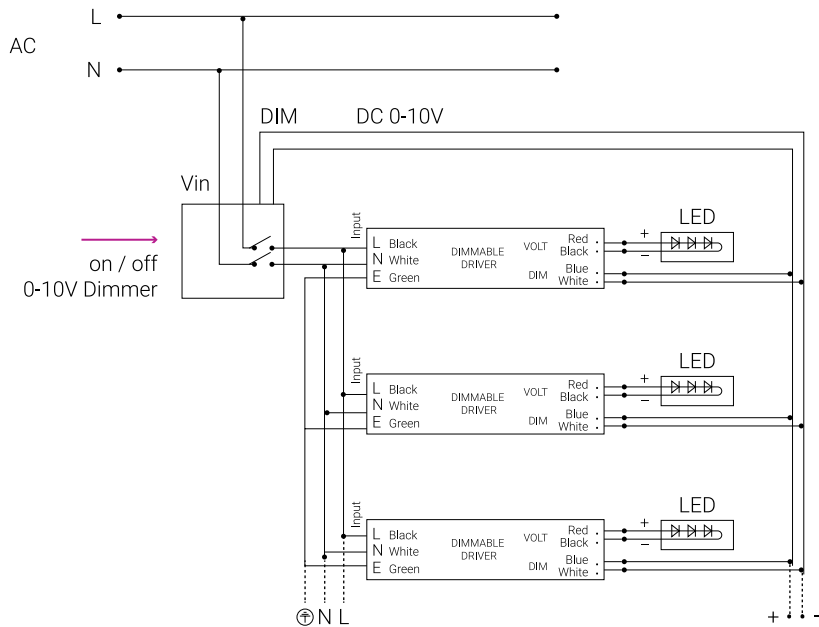


DIAGRAM 2





5 in 1 Dimming Driver

RoHS

FC



Class 2 Driver 24V / 96W

ORDER INFORMATION

| Product # | Voltage | Wattage |
|-----------|-----------|---------|
| 951004 | 24-24V DC | 96 96 W |

EXAMPLE

951004-24-96

The specification number immediately above can be deconstructed as follows:

- 24V 96W Class 2; Voltage-24V; Wattage-96 W

INSTRUCTIONS & DIMMER LIST

1. This driver should be installed by a qualified, licensed electrician.
2. Please make sure the driver is installed with proper ventilation to allow heat dissipation.
3. Ensure that wiring is correct before test in order to avoid light and power supply damage.
4. If the driver does not work, please don't disassemble, modify or repair the driver. Please contact Omnify for technical support.

0-10V COMPATIBLE DIMMER LIST

| Dimmer Brand | Model Number | Input Voltage | Dimming Range | Remark |
|--------------|--------------|---------------|---------------|--|
| Arrow Hart | DF10P-C1 | 120-277 | 5-100% | Dimmer with spin button (adjust max. dimming) |
| Lutron | DVSTV-WH | 120-277 | 9-100% | Dimmer with spin button (adjust min. dimming 9%-25%) |
| | DVTV-WH | 120-277 | 9-100% | |

INSTRUCTIONS

TRIAC COMPATIBLE DIMMER LIST

| Dimmer Brand | Model Number | Input Voltage | Dimming Range | Phase | Remark |
|--------------|-------------------|---------------|---------------|---------------|---|
| LUTRON | SCL-153PR-WH | 100-130V | 0-100% | Forward Phase | Dimmer with spin button (adjust min. dimming 0-30%) |
| | DVCL-153PR-WH | 100-130V | 0-100% | Forward Phase | |
| | DVWCL-153PH-LA | 100-130V | 0-100% | Forward Phase | |
| | CTCL-153PDH-LA | 100-130V | 0-100% | Forward Phase | |
| | TGCL-153PR-WH | 100-130V | 0-100% | Forward Phase | |
| | TGCL-153PH-WH | 100-130V | 0-100% | Forward Phase | |
| | MACL-153MH-LA | 100-130V | 1-100% | Forward Phase | |
| | MIR-600M | 100-130V | 1-100% | Forward Phase | |
| | CT-600PR-IV | 100-130V | 0-100% | Forward Phase | |
| | CT-600PR-WH | 100-130V | 0-100% | Forward Phase | |
| | CT-103PR-WH | 100-130V | 0-100% | Forward Phase | |
| | DV-600PR-BL | 100-130V | 0-100% | Forward Phase | |
| | DV-600PR-WH | 100-130V | 0-100% | Forward Phase | |
| | TG-600PR-LA | 100-130V | 0-100% | Forward Phase | |
| | TG-600PR-IV | 100-130V | 0-100% | Forward Phase | |
| | TG-600PR-WH | 100-130V | 0-100% | Forward Phase | |
| | TG-10PR-WH | 100-130V | 0-100% | Forward Phase | |
| | S-600PR-WH | 100-130V | 0-100% | Forward Phase | |
| | MRF2-6ND-120-AL | 100-130V | 0-100% | Forward Phase | |
| | MRF2-6CL-GR | 100-130V | 1-100% | Forward Phase | |
| | DZ6HD | 100-130V | 3-100% | Forward Phase | |
| | PD-6WCL | 100-130V | 1-100% | Forward Phase | |
| | SELV-300P | 100-130V | 1-100% | Forward Phase | |
| | MSCELV-600M | 100-130V | 0-100% | Forward Phase | |
| | MEF2-6ELV-120 | 100-130V | 0-100% | Forward Phase | |
| | NTLV-600-277-WH | 277V | 0-100% | Forward Phase | |
| | ST-12P-277 | 277V | 3-100% | Forward Phase | |
| NTF-10-277 | 277V | 0-100% | Forward Phase | | |
| LEVITON | VPI06-1LZ | 120V | 1-100% | Forward Phase | |
| | TTI06-1LZ | 120V | 1-100% | Forward Phase | |
| | IPL06 | 120V | 0-100% | Forward Phase | |
| | DZ6HD | 120V | 1-100% | Forward Phase | |
| | 6674 | 120V | 1-100% | Forward Phase | |
| | 6672 | 120V | 1-100% | Forward Phase | |
| | TBL03 | 120V | 1-100% | Forward Phase | |
| | 6602 | 120V | 0-100% | Forward Phase | |
| | 6683 | 120V | 0-100% | Forward Phase | |
| LEGRAND | RHCL453PNICCV6 | 120V | 1-100% | Forward Phase | |
| | WSCL450TCCCV4 | 120V | 0-100% | Forward Phase | |
| | LSCL453PLACCV4 | 120V | 0-100% | Forward Phase | |
| CRESTRON | CLW-DELVEX-P -W-S | 120V | 0-100% | Forward Phase | |