

Job Information <i>Fill out project details for this product below</i>			
Project		Location	
Contact		Date	
Product Number		Fixture Type	

A low cost, 60 W constant voltage hardwire power adaptor with UL Class 2 certification.

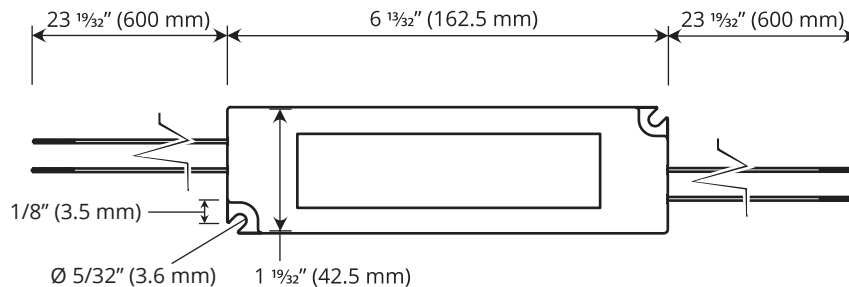


KEY FEATURES & BENEFITS

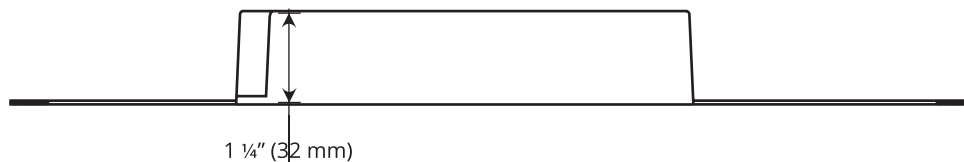
- Consistent voltage design
- Universal AC input / full range
- Epoxy encapsulated with IP67 level
- Withstand 3000 VAC surge input for 5 seconds
- Protections: Short circuit / Overload / Over voltage
- Fully isolated plastic case
- Cooling by free air convection
- Class 2 power unit
- 100% full load burn-in test
- Low cost, high reliability

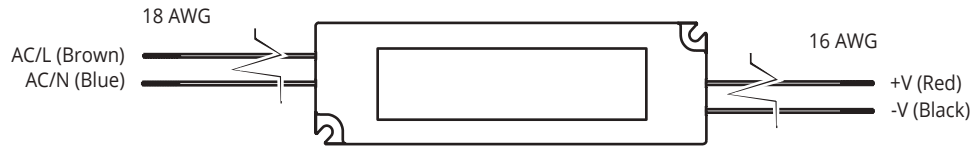
OVERVIEW

TOP VIEW

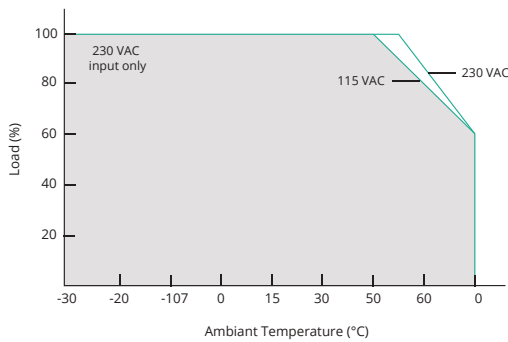


PROFILE VIEW

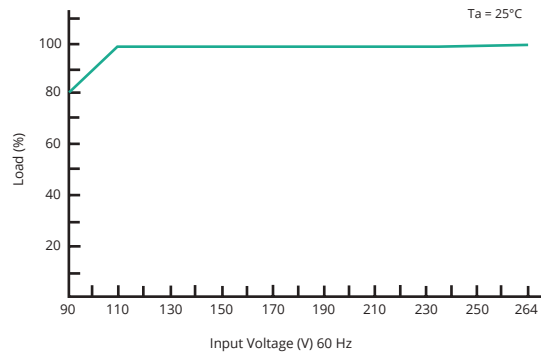




DERATING CURVE



STATIC CHARACTERISTICS



SPECIFICATIONS

Model

Part Number 951005

Output

DC Voltage 12 VDC

Constant Current Region¹ 9 ~ 12 V

Rated Current 5 A

Power 60 W

Current Range 0 ~ 5 A

Ripple and Noise² 120 mVp-p

Voltage Tolerance³ ± 5%

Line Regulation ± 1%

Load Regulation ± 2%

Setup, Rise Time⁴ 500 ms, 20 ms / 230 VAC / 115 VAC; 500 ms, 20 ms / 115 VAC at full load (for 5 ~ 36 V)

Hold Up Time (Typ.) 50 ms / 230 VAC; 16 ms / 115 VAC at full load

Input

Voltage Range 90 ~ 264 VAC

Frequency Range 47 ~ 36 Hz

Power Factor PF 0.95 / 230 VAC; PF 0.98 / 115 VAC at full load and rated output voltage; PF 0.9 at 75 ~ 100% load

Efficiency 83%

AC Current 1.2 A (rms) / 115 VAC; 1 A (rms) / 230 VAC

Inrush Current Cold start 30 A / 115 VAC; 60 A / 230 VAC

Leakage Current < 250 uA / 240 VAC



Protection

Over Current ⁵ 100 ~150% rated output power

Over Voltage ⁶ 13.8 V ~ 16.2 V

Environment

Operating Temperature -30 °C ~ +70 °C (refer to output load derating curve)

Storage Temperature -40 °C ~ +80 °C

Operating Humidity 20% ~ 90% RH non-condensing

Storage Humidity 10% ~ 90% RH

Temp. Coefficient ± .03% / °C (0 ~ +50 °C)

Vibration 10 ~ 500 Hz, 2G 10 minutes / 1 cycle, period for 60 minutes each along X, Y, Z axes

Class 2 Compliant Yes

Withstanding Voltage I/P-O/P: 3 kVAC

Isolation Resistance I/P-O/P: >100 M Ohms / 500 VDC / 25°C / 70% RH

EMI Conduction & Radiation Compliance to EN55022 (CISPR22) Class B

Harmonic Current Compliance to EN61000-3-2,-3

EMS Immunity Compliance to EN61000-4-2,3,4,5,6,8,11; ENV50204, EN55024, light industry level, criteria A

Certifications UL Class 2, CAN / CSA, IP67 approved, ENEC Mark, CE, RU

Material Plastic case

Dimensions 6 13/32" (162.5 mm) L x 1 11/16" (42.5 mm) W x 1 1/4" (32 mm) H

Additional

Mean Time Between Failures > 732 000 MIL-HDBK-217F (25 °C)

Packaging 0.4 Kg; 32 pcs / 13.8 Kg / .56 ft3

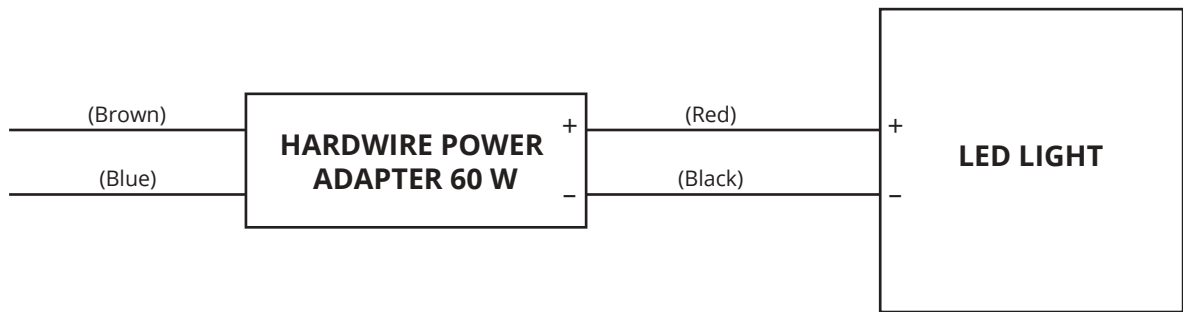
NOTES

1. Constant current operation region is within 75% ~100% rated output voltage. This is the suitable operation region for LED related applications, but please reconfirm special electrical requirements for some specific system design
2. Ripple and noise are measured at 20 MHz of bandwidth by using a 12" twisted pair-wire terminated with a .1uf and 47uf parallel capacitor
3. Tolerance: includes set up tolerance, line regulation, and load regulation
4. Length of set up time is measured at first cold start. Turning on / off the power supply may lead to an increase in the set up time
5. Derating may be needed under low input voltage. Please check the derating curve for more details
6. Protection Type: Shut down o / p voltage, re-power on to recover

NOTES

- All parameters not specially mentioned are measured at 230 VAC input, rated load and 25 °C of ambient temperature
- The power supply is considered a component which will be installed a final equipment. The final equipment must be re-confirmed to ensure it still meets EMC directives.
- Protection Type: Hiccup mode recovers automatically after fault condition is removed
- Recommended load: 90%
- Omnify strives to maintain tight control over specification factors. However, specifications are subject to change on rare occasion. These changes may not be reflected here

WIRING EXAMPLE



ORDER INFORMATION

Product #	Voltage	Wattage
951005	12-24V DC	060 -60 W (Standard)

EXAMPLE

951005-12-060

The specification number immediately above can be deconstructed as follows:

- 12V 60W Hardwire Power Adaptor; Voltage-12V; Wattage-60W