

RF Tunable Driver 90W

Omnify

Part # 951029

Project		Location	
Contact		Date	
Part Number		Fixture Type	

Integrated LED Driver Tunable White/Dim-to-Warm



Controlled by our RF Tunable Wall Controller through a wireless signal, this system entails zero compatibility issues and unbeatable dimming performance. This LED Driver provides smooth, flicker-free dimming down to 0.1% before total darkness to ensure a quality user experience.

The Tunable RF Driver is a UL listed Class 2 Driver that includes an integrated junction box with a separate input and output wiring compartment each with three 7/8" knockouts for easy and safe installation.



Class 2

24VDC

Enclosure Details

Dimensions	8.4"(213mm) x 4.1"(104mm) x 1.5"(38mm)
Material	Sheet Metal
Finish	Matte Powder Coat
Environmental	Indoor Use

Features and Benefits

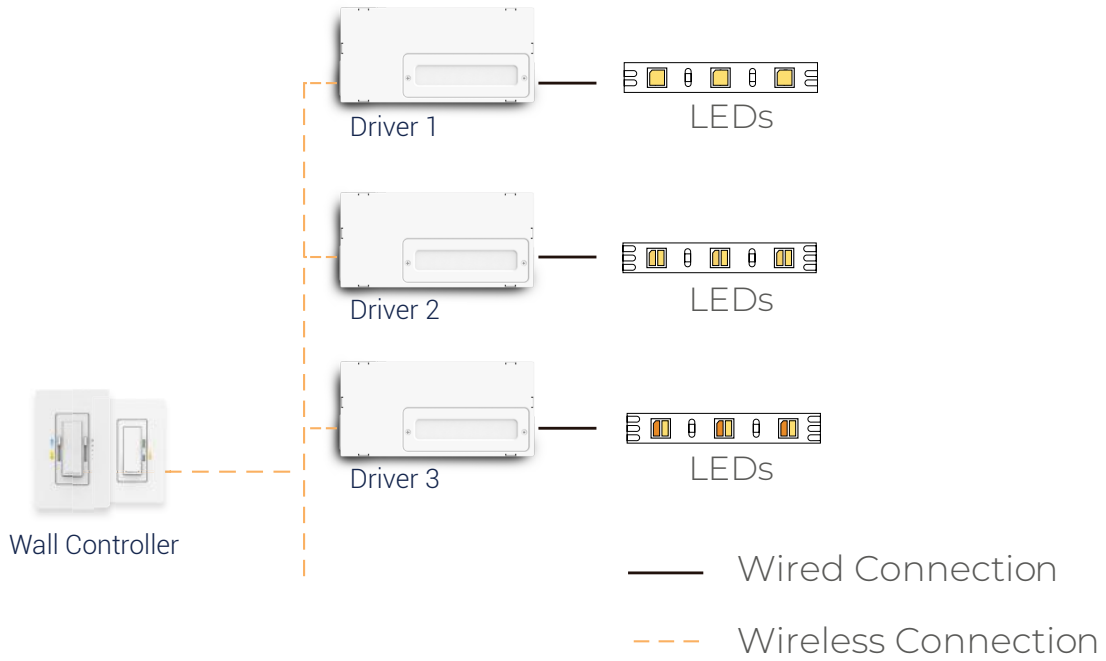
- Tunable White / Dim- to-Warm Control in One Driver
- Same Wire Set as a Standard LED Driver
- Complies to IEEE and Title 24 Flicker Requirements
- No Extra Low Voltage Controllers Necessary
- Superior Dimming - Flicker Free to 0.1%
- UL Listed Class 2
- Current Limit Overload Protection
- No Minimum Load Requirement
- Can Be Loaded to Max Power with no Derating Needed
- Wiring Compartments With Knock-Outs for Safe and Easy Installation.
- 1 controller can speak to a maximum of 78 drivers.

RF Tunable Driver 90W



Overview

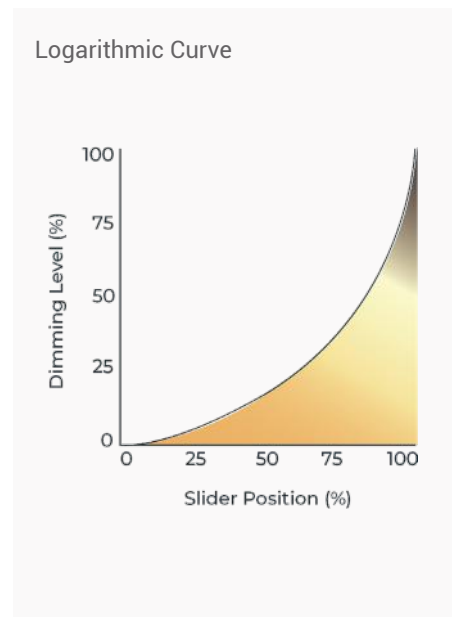
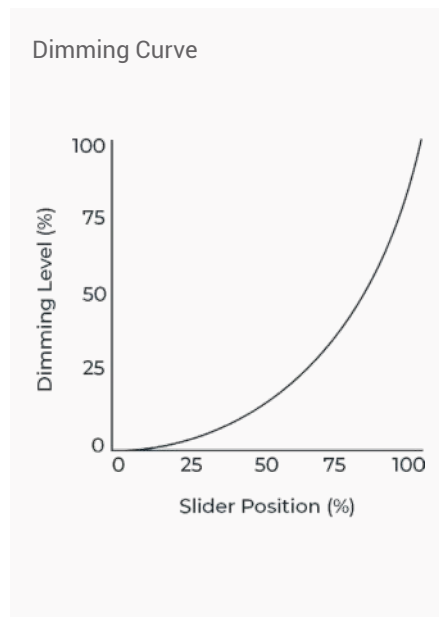
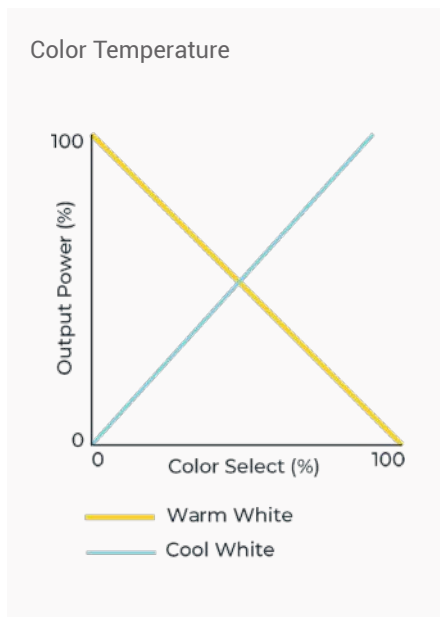
Installation



Performance Curves

Tunable White

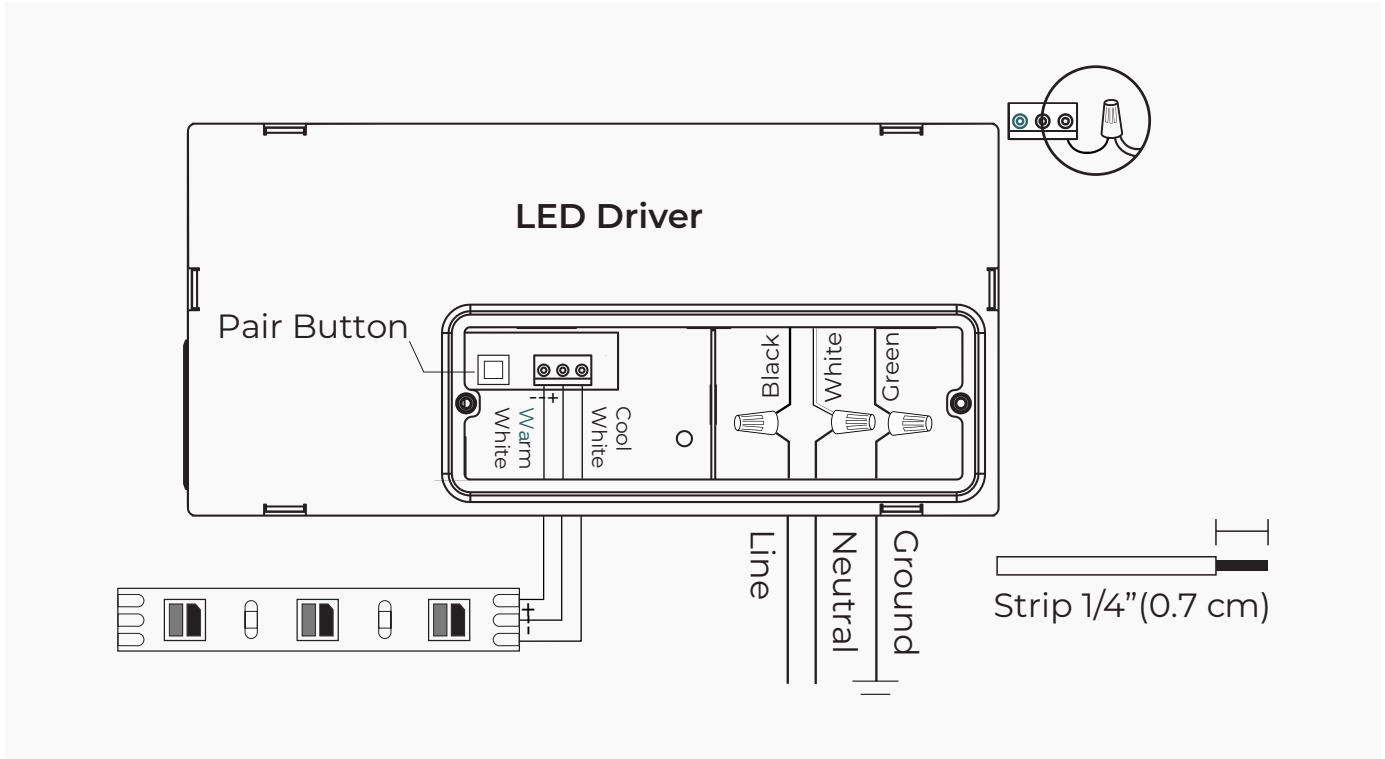
Dim-to-Warm



RF Tunable Driver 90W

Omnify

Wiring



Wiring Description

- With the power switched off, connect the wires according to the wiring diagram above
- **Note:** If you are connecting more than one wire to each terminal, it is recommended to form a pigtail connection.

RF Driver 90W



Electrical Specifications

UL Model		DT-24V-90W-W
Output	Max Power	90 W
	Rated Current	3.75A
	Rated Voltage	24VDC
	No Load Voltage (No Load)	25.2VDC
	Voltage Ripple & Noise (Max)	300mV (Vp-p)
Input	Input Voltage	120VAC +/- 10%
	Input Frequency	60Hz
	Power Factor	PF>0.96
	Efficiency (Max Load)	89%
Protection	Over Current	CC Mode
	Short Circuit	Hiccup mode, auto-recovery after short circuit removed
	Over Temperature	90°C Max - Auto Recovery
Environmental	Ambient Operating Temp	-30 °C - + 40 °C / -86°F - + 104°F
	IP Rating	23

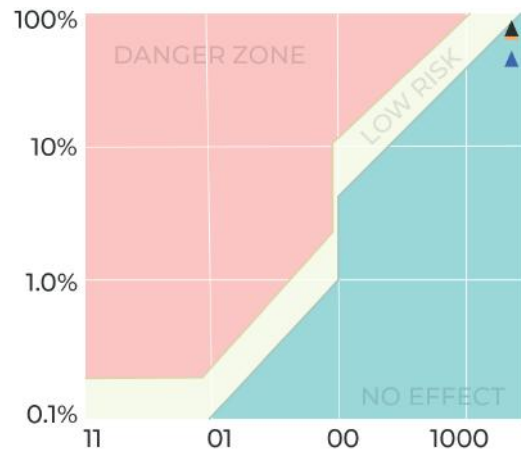
Dimming Performance

Control Protocol	RF
Dimming Range	0.1 - 100%
Dim to Off	Yes
Dimming Method	PWM (2400Hz)
Dimming Curve	Logarithmic (Default)

Flicker Performance Graph

As defined in IEEE P1789, the results are presented with the low-risk in yellow and no observable effect in green.

Complies to Title 24 Flicker Requirements.



Dimming Level

▲ 100% ▲ 75% ▲ 50% ▲ 25% ▲ 5% ▲ 1%

RF Tunable Driver 90W



Mechanical Specifications

