

# DMX Wall Controller CCT

# Omnify

Part # 970041

Project		Location	
Contact		Date	
Part Nr.		Fixture Type	



ROHS



The DMX Wall Mount Controller provides tunable white light control on a touch sensitive glass surface in one or multiple independent areas.

- Touch Sensitive
- Glass Interface
- DMX512 output
- Tunable white light Control
- Control 4 zones synchronously and separately
- Fits in standard North American junction box



## Physical Specifications

Part Number	970041
Dimensions	75 mm (2.95") W x 120 mm (4.72") H x 29.1 mm (1.14") D
Operating Temperature	0 °C (32 °F) ~ +40 °C (+104 °F)
Relative Humidity	8% – 80%
Environment	Indoor / Dry locations only (IP20)
Mounting	Wall mount to standard switchbox

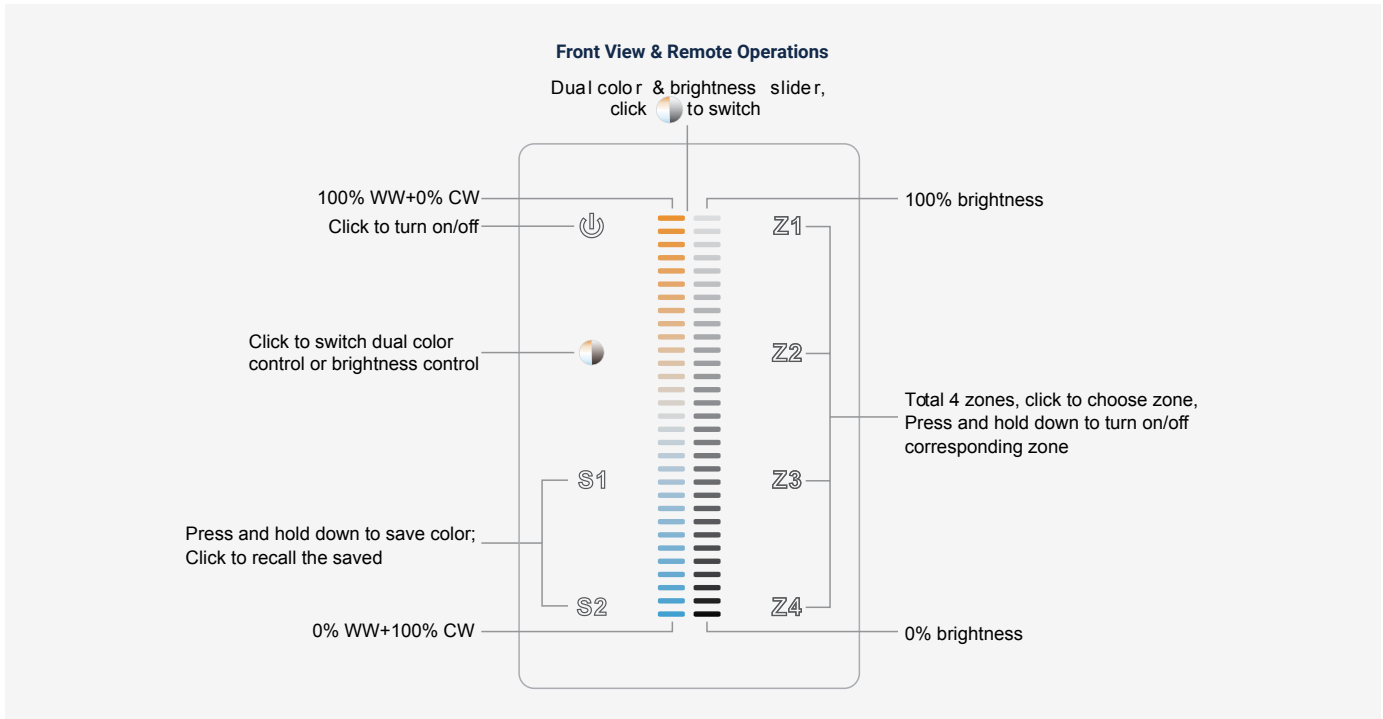
## Electrical/Electronic Specifications

Input Voltage	12 – 24V DC
Power Consumption	< 20 mA
Output Signal	DMX512 Signal
Zone Control	4

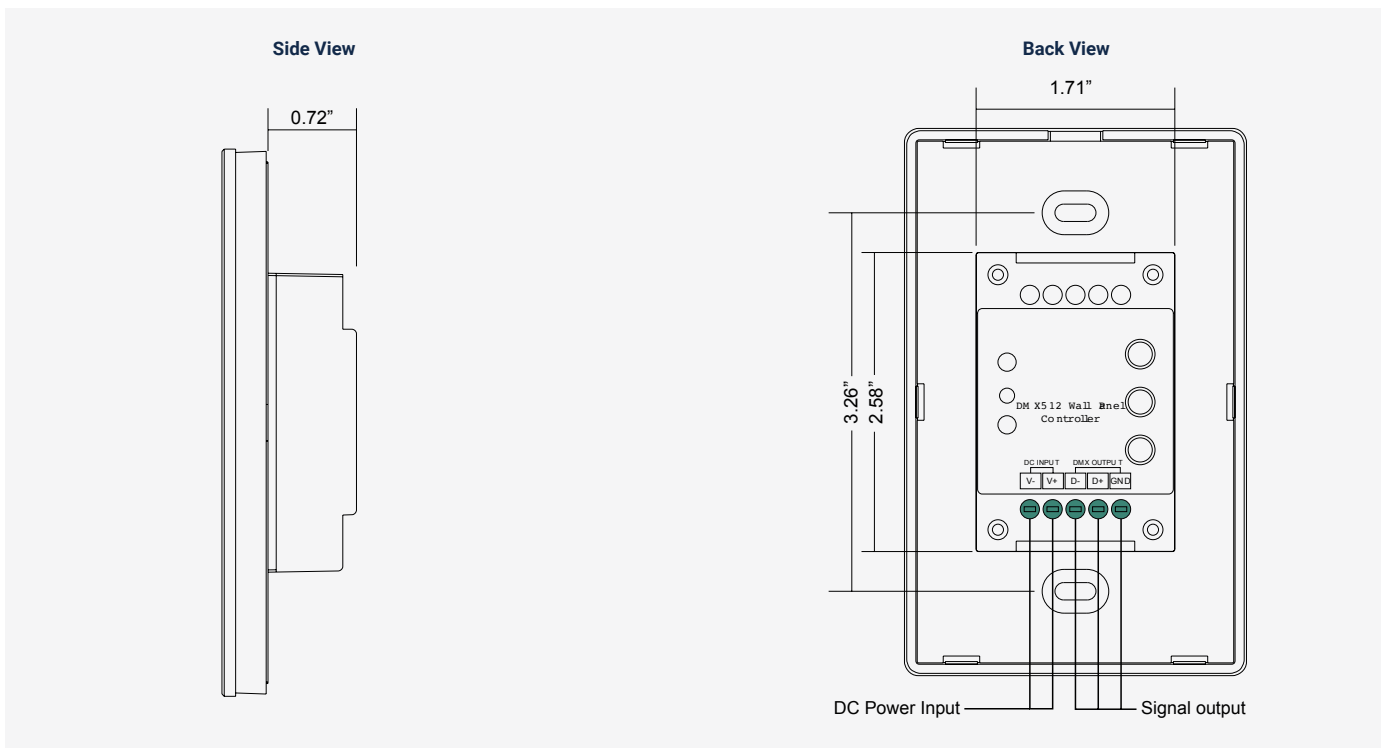
# DMX Wall Controller CCT



## Remote Operation



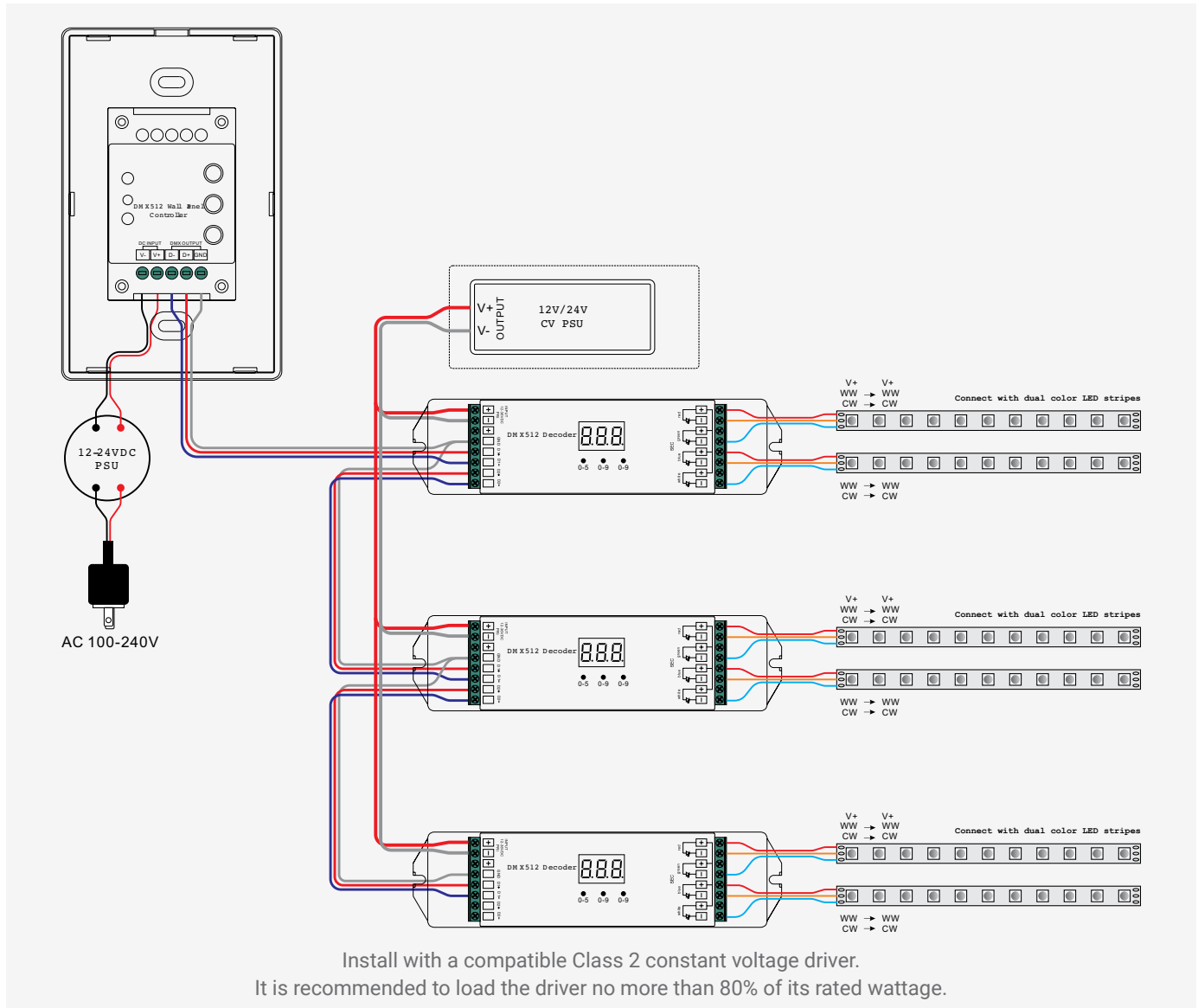
## Mechanical Diagram



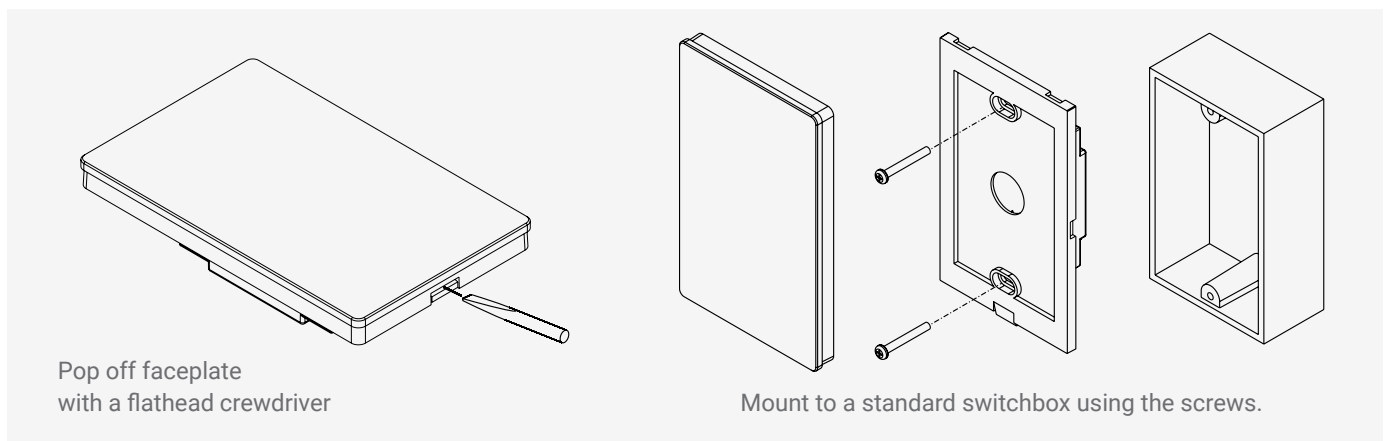
# DMX Wall Controller CCT

*Omnify*

## Wiring Diagram



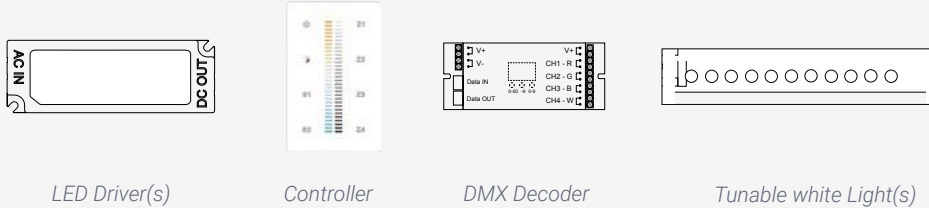
## Mounting



## Installation

**1** Turn off the power at the main circuit breaker. (Shock Hazard - May result in serious injury or death!)

**2** Install & connect the components. See the wiring diagram for more information.



**3** Turn on the power. If system remains unresponsive or not working properly, turn off power at the circuit and check wiring.

## Safety and Warnings

This product is intended to be installed and serviced by a qualified electrician in accordance with national and local electrical code regulations.

DO NOT install with power applied.

DO NOT expose to moisture.

Only install with compatible 12V and 24VDC constant voltage LED light fixtures.

Do not modify product beyond instructions or warranty will be void.

## Setting the DMX Address

Each DMX decoder needs to be addressed correctly so the controller can distinguish between each decoder. To pair a DMX decoder to a specific zone of the controller (1–4), set each decoder to one of the following addresses:

- Zone 1: Set to address 001
- Zone 2: Set to address 005
- Zone 3: Set to address 009
- Zone 4: Set to address 013

Each zone of the controllers fixed with 4 DMX addresses to control the 2 channels:

- Channel 1 Warm White
- Channel 2 Cool White

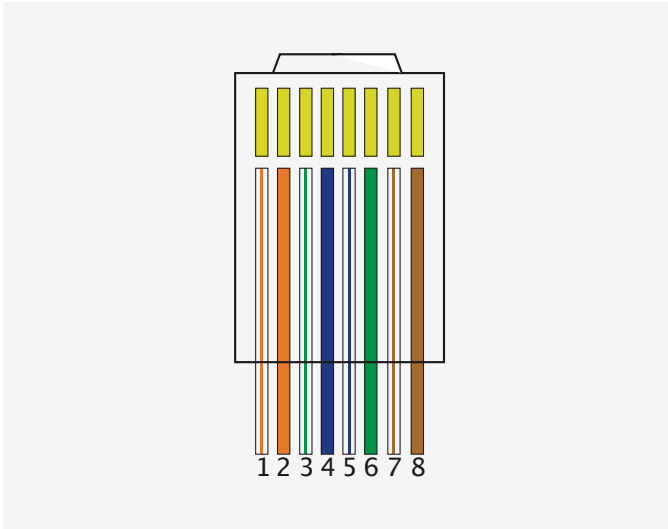
Once DMX address is set to a DMX decoder press Zone 1, 2, 3 or 4 on the Controller to control the desired zone.

# DMX Wall Controller CCT

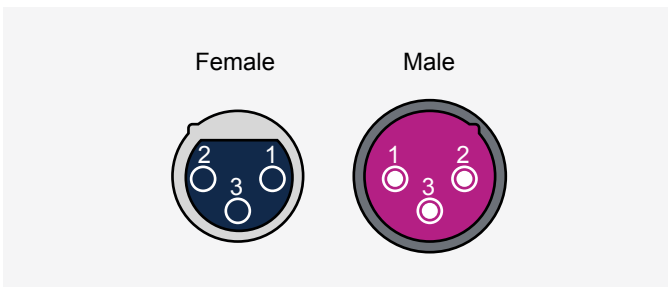


## Pinout Connection Guide

The following diagrams/tables indicate the appropriate connections for patching your own CAT5/RJ45, and XLR-3 splice cables. These diagrams are for general reference and may differ between different cable manufacturers.



PIN #	Wire Color	Function
1	White/Orange	Data+
2	Orange	Data-
3	White/Green	-
4	Green	-
5	White/Blue	-
6	Blue	-
7	White/Brown	Ground 2 (optional)
8	Brown	Ground



PIN #	Wire Color
1	Ground
2	Data -
3	Data +