

# DMX Wall Controller RGBW

# Omnify

Part # 970042

Project		Location	
Contact		Date	
Part Nr.		Fixture Type	



ROHS



The DMX Wall Mount Controller provides professional-level control for color-changing RGB and RGBW LED lighting in one or multiple independent areas.

- Touch Sensitive
- Glass Interface
- DMX512 output
- RGB/RGBW Color Control
- Control 3 zones synchronously and separately
- Fits in standard North American junction box



## Physical Specifications

Part Number	970042
Dimensions	75 mm (2.95") W x 120 mm (4.72") H x 29.1 mm (1.14") D
Operating Temperature	0 °C (32 °F) ~ +40 °C (+104 °F)
Relative Humidity	8% – 80%
Environment	Indoor / Dry locations only (IP20)
Mounting	Wall mount to standard switchbox

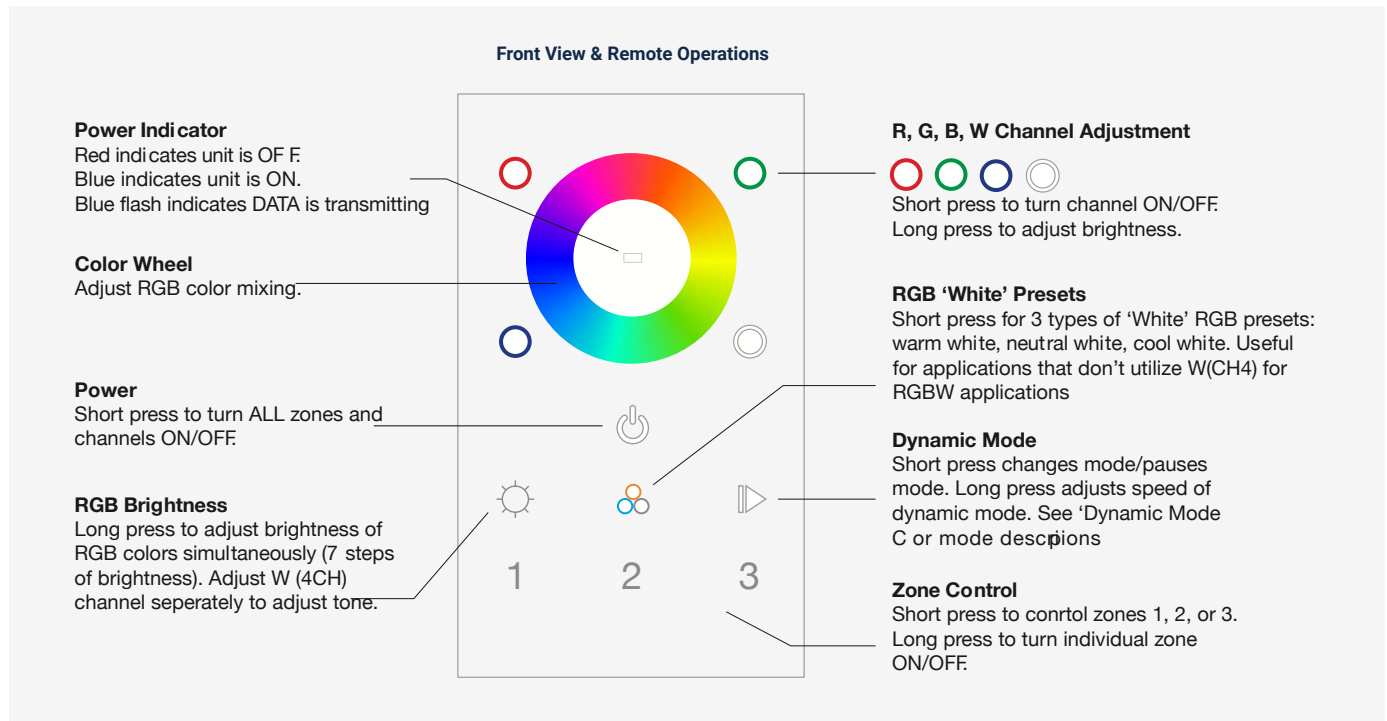
## Electrical/Electronic Specifications

Input Voltage	12 – 24V DC
Power Consumption	< 20 mA
Output Signal	DMX512 Signal
Dynamic Modes	10
Zone Control	3
Power Failure Memory	Yes

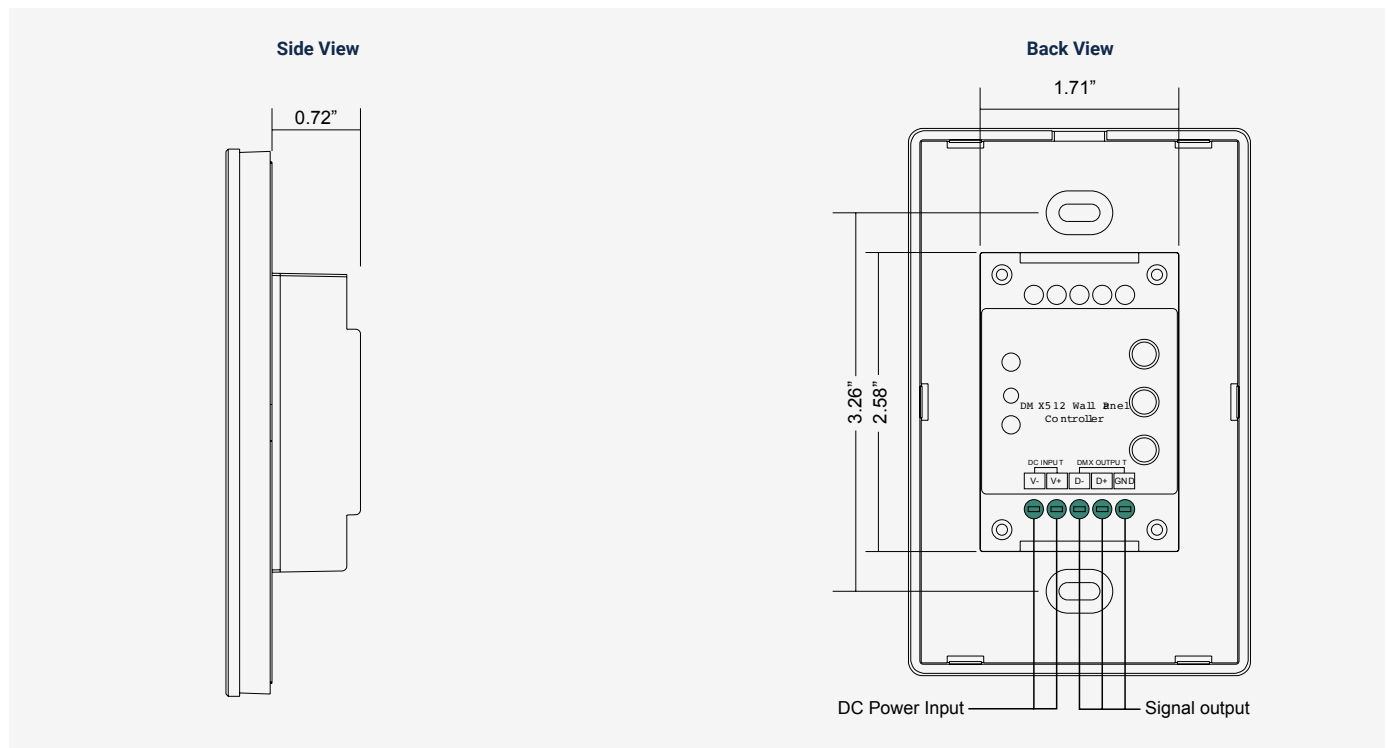
# DMX Wall Controller RGBW



## Remote Operation



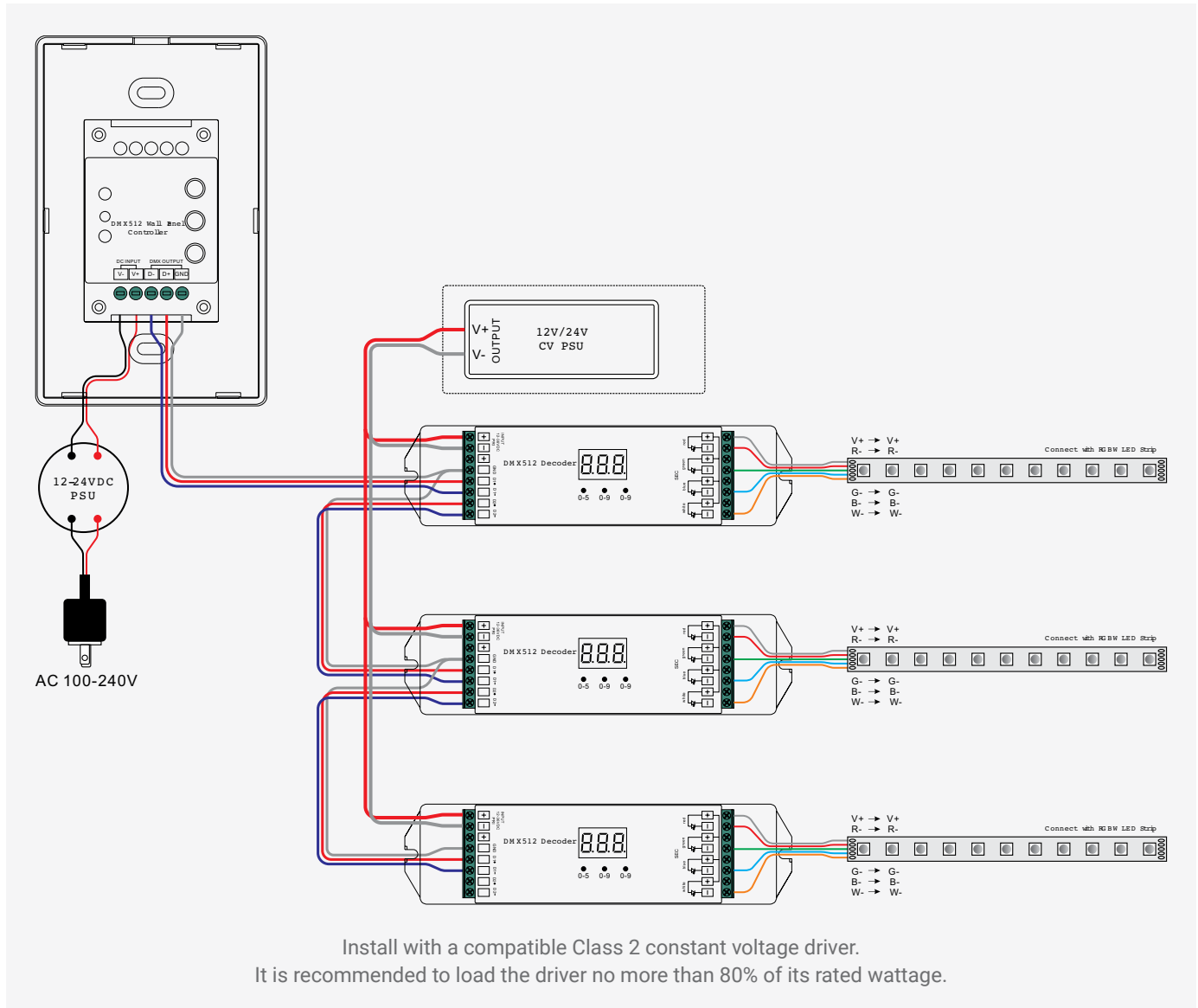
## Mechanical Diagram



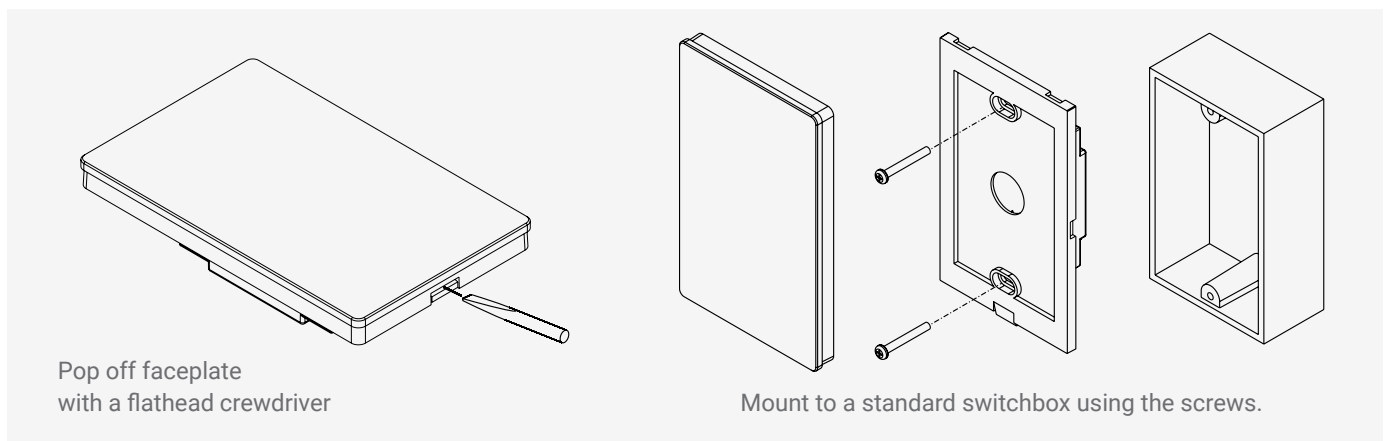
# DMX Wall Controller RGBW

*Omnify*

## Wiring Diagram



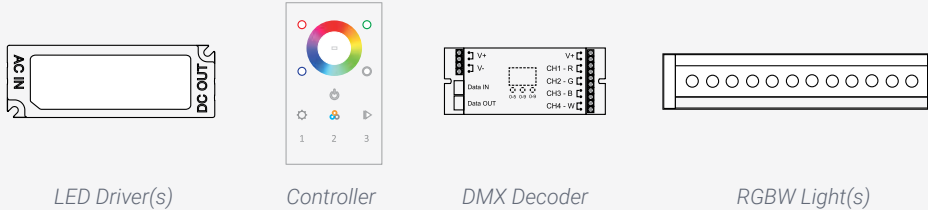
## Mounting



## Installation

**1** Turn off the power at the main circuit breaker. (Shock Hazard - May result in serious injury or death!)

**2** Install & connect the components. See the wiring diagram for more information.



**3** Turn on the power. If system remains unresponsive or not working properly, turn off power at the circuit and check wiring.

## Safety and Warnings

This product is intended to be installed and serviced by a qualified electrician in accordance with national and local electrical code regulations.

DO NOT install with power applied.

DO NOT expose to moisture.

Only install with compatible 12V and 24VDC constant voltage LED light fixtures.

Do not modify product beyond instructions or warranty will be void.

## Setting the DMX Address

Each DMX decoder needs to be addressed correctly so the controller can distinguish between each decoder. To pair a DMX decoder to a specific zone of the controller (1–3), set each decoder to one of the following addresses:

- Zone 1: Set to address 001 (will be fixed to address 001-004)
- Zone 2: Set to address 005 (will be fixed to address 005-008)
- Zone 3: Set to address 009 (will be fixed to address 009-012)

Each zone of the controllers fixed with 4 DMX addresses to control the 4 channels:

- Channel 1 RED
- Channel 2 GREEN
- Channel 3 BLUE
- Channel 4 WHITE

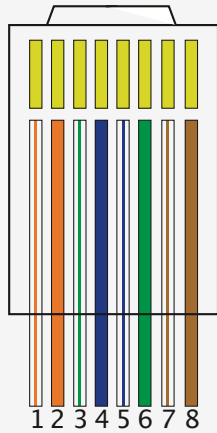
Once DMX address is set to a DMX decoder press Zone 1, 2 or 3 on the Controller to control the desired zone.

# DMX Wall Controller RGBW

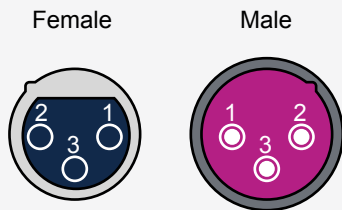


## Pinout Connection Guide

The following diagrams/tables indicate the appropriate connections for patching your own CAT5/RJ45, and XLR-3 splice cables. These diagrams are for general reference and may differ between different cable manufacturers.



PIN #	Wire Color	Function
1	White/Orange	Data+
2	Orange	Data-
3	White/Green	-
4	Green	-
5	White/Blue	-
6	Blue	-
7	White/Brown	Ground 2 (optional)
8	Brown	Ground



PIN #	Wire Color
1	Ground
2	Data -
3	Data +

## Dynamic Mode Chart



Press this button to play factory programmed scenes. Choose from up to 10 different one. Press shortly, it switches/pauses the mode. Press long to adjust speed.

Mode	Description
1	Full Color Fade #1
2	Reverse Rainbow Fade
3	Random Full Color Fade
4	7 Color Jump
5	RGB Fade in / Fade out
6	RGB Fade in to OFF
7	RGB ON to Fade out
8	RGB Jump
9	Full Color Fade #2
10	Pastel Color Fade in / Fade out