



2mm flexible LED light panel

Part#: **111214**

Job Information <i>Fill out project details for this product below</i>			
Project		Location	
Contact		Date	
Product Number		Fixture Type	

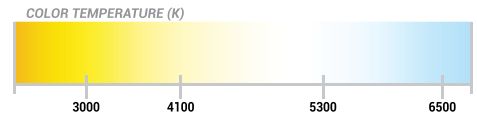
The slimmest-in-class profile (2mm), Flex is a revolutionary edge-lit panel which is perfect for compact and narrow spaces, offering bright and even illumination designed for customized and embedded lighting applications.



APPLICATIONS

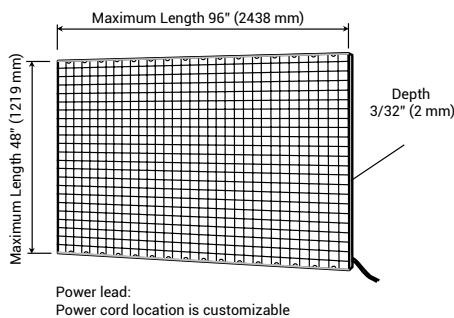
- Backlighting
- Custom Shapes
- Installations
- Backlit Graphics

LIGHT TEMPERATURE

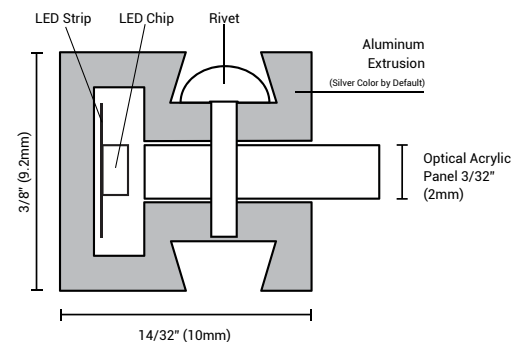


OVERVIEW

FRONT VIEW



PROFILE VIEW





2mm flexible LED light panel

SPECIFICATIONS

PHYSICAL SPECIFICATIONS

Part Number	111214
Series	LLX
Chip	Omnichip
CRI	≥ 90
Color Temperature*	3000 K • 4100 K • 5300 K
Illumination	Single Face • Double Face
Mounting	Mounted with edge clips / standoffs
Operating Temperature	-30 °C (-22 °F) ~ +40 °C (+104 °F)
Environment	Dry location only (indoor)
Thickness	Panel: 3/32" (2 mm) Extrusion: 3/8" (9.2 mm)
Minimum Size	2 1/2" (63.5 mm) L x 2" (50 mm) W
Maximum Size	96" (2438 mm) L x 48" (1219 mm) W
Weight	0.5 lbs / sq ft (0.23 kg / sq m)

ELECTRICAL SPECIFICATIONS

Input Voltage	24V DC
Power Consumption	5.2 W/ft
Wire Size	20 AWG 2 wire
Wiring	One power cord is required per lit side with up to 2 lateral lit sides per panel. Each panel must have direct connection to power supply. Do not wire panels in series
Connector	2.1 / 5.5 mm barrel plug Standard 5' (1500 mm), Optional 10' (3000 mm), Custom
Certification	UL listed (E346146)

*LED Kelvin temperatures listed in this literature have been derived from raw LED data. Actual Kelvin ratings can vary +/- 200 K based upon environmental conditions including but not limited to inclusion into LGPs and the use of diffusion materials. A precise ANSI bin control system is utilized to help maintain LED conformity and to minimize variances

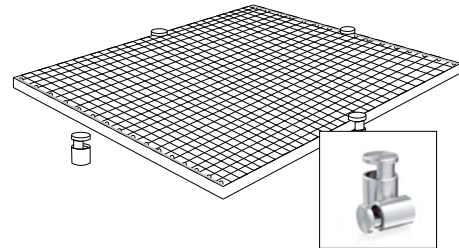


MOUNTING OPTIONS

- ⚠️ **LumiSheet Flex must be installed and serviced by a licensed electrician**
 - Only install in indoor environments**
 - Use only with a Class 2 power adapter**
- Mount panels securely using one of these options:

EDGE CLIPS / STANDOFFS

Source clips or standoffs to suit the depth of your Flex panel. Affix the panel to to surface as you would a mirror. Edge clips are sold separately.



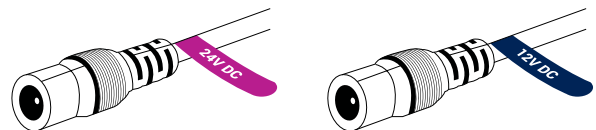
CUSTOM OPTIONS

Flex has mounting options to suit a range of applications. Speak with your Omnify representative for the right mounting solution for your project.

Contact your Omnify representative before attempting any other mounting option.

WIRING

- Determine your system components, including a power adaptor, as well as optional dimmer and controller. Use only UL certified power adaptors with the power output that coordinates with your input voltage. Do not apply 24V DC to 12V DC Light Guided Panel, as within seconds the result may be burned LEDs or fire. Look for our voltage tags at the end of the power cord.

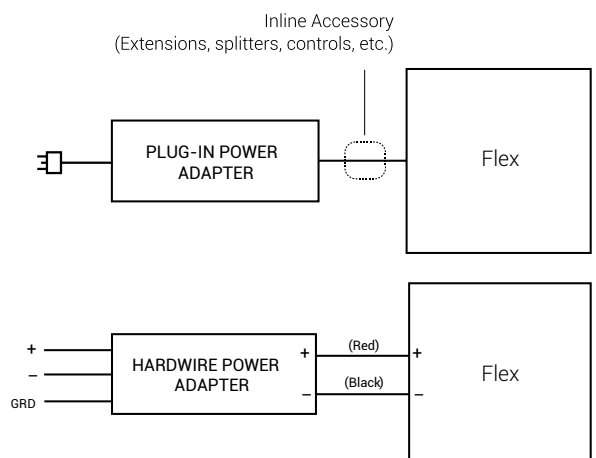


WIRING WITH PLUG-IN POWER ADAPTORS:

- Use a plug-in adaptor to connect the Light Guided Panel to your power source.

WIRING WITH HARDWIRE POWER ADAPTORS:

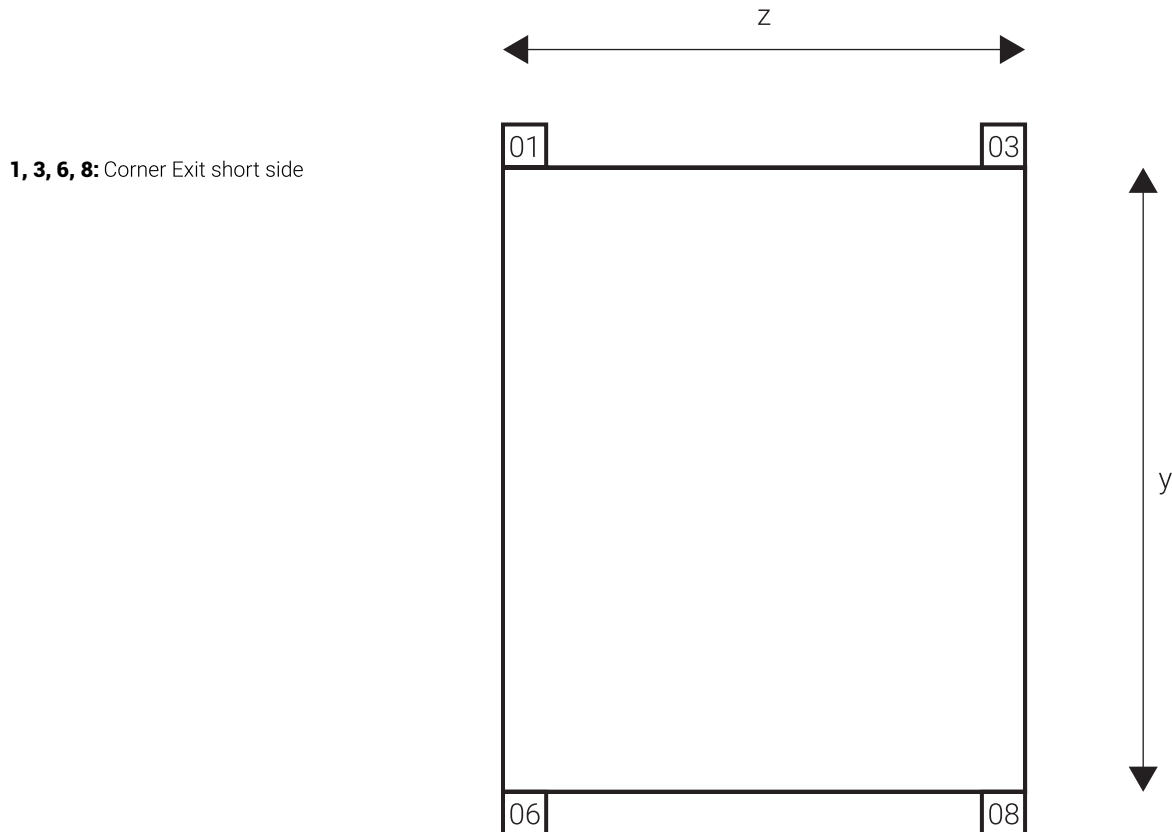
- Turn off power to your system at the main breaker;
- Install your system components. Refer to wiring guidelines for each component to build your system;
- Check connections and turn on power at the main breaker.



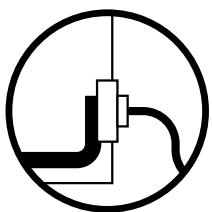


2mm flexible LED light panel

WIRE EXIT OPTIONS



EXIT TYPE OPTIONS



T 1 - Edge

Power cord exits from edges



ACCESSORIES AND OPTIONS

POWER ADAPTORS OPTIONS



Plug-in (Class 2)

950021	24V	24W
950024	24V	90W
950035	24V	96W
950036	24V	60W

Hardwire

951012	24V	60W
950037	24V	60W
950038	24V	96W
950039	24V	150W

5 in 1 Dimming Driver

951004-24-096	24V	96W
951006-24-192	24V	2x96W

* Other power options available on request

CONTROLLER OPTIONS



Inline Dimmer with Remote

970007	24V	144W
--------	-----	------

LED Dimming Module

970001	24V	98W
--------	-----	-----

Inline Plug and Play Dimmer

970014	24V	96W
--------	-----	-----

Rotatory Style Dimmer

970002	24V	192W
--------	-----	------

* Other controller options available on request

CONNECTOR OPTIONS

DC jack 5'

80008	White
80006	Black

Bare Leads

80019	White
80014	Black

DC jack 10' (W)

80009	White
80007	Black

2 pin connector cable 5'

980048	White
980049	Black

Omnify Connector Hub

980047	White
--------	-------



ORDER INFORMATION

LLX Series

Product #	Size	Color Temperature	Voltage	Wattage
111214 2mm	z-y: Custom Size	300-3000 K 410-4100 K 530-5300 K	24-24V DC	5.2 5.2 W/ft

Connectors	Illumination	LED Location	Exit Type	Exit Location	Mounting
80008 DC jack 5' White 80006 DC jack 5' Black 80009 DC jack 10' White 80007 DC jack 10' Black 980048 2 Pin Connector 5' cable White 980049 2 pin Connector 5' cable Black 80019 Bare leads White 80014 Bare leads Black 980047 Omnify Connector Hub	1: Single face 2: Double face	1: LEDs along 1 long edge 2: LEDs along 2 long edges 3: LEDs along 1 short edge 4: LEDs along 2 short edges 5: LEDs along all 4 edges 6: Custom illumination	1: Edges	Wiring exit options diagram 01 - 03 - 06 - 08	1 Standoffs 2 N/A

EXAMPLE

111214-11x14-410-24-5.2-80008-1-1-1-1-1

The specification number immediately above can be deconstructed as follows:

- Flex-2mm; Dimensions(z-y)-11"x14"; Color Temperature -4100K; Voltage-24V; Wattage-5.2W/ft; Connector-DC jack 5' White; Illumination-Single Sided (1); Location(1)-1 Long Edge; Power Cord Exits (1); Power Cord Exit Location from edges (1); Standoffs (1)