



6 LED tunable white lattice  
(cuttable every 2 diodes)

**Part#:** 410100-002-24-5.2

Job Information <i>Fill out project details for this product below</i>			
<b>Project</b>		<b>Location</b>	
<b>Contact</b>		<b>Date</b>	
<b>Product Number</b>		<b>Fixture Type</b>	

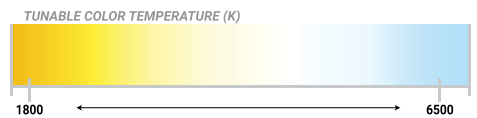
Designed to meet the dual requirements of cost-efficient large format lighting and tunable color temperatures, LumiCurtain offers even illumination with an energy-efficient design for interior spaces or large format graphic backlighting.



## APPLICATIONS

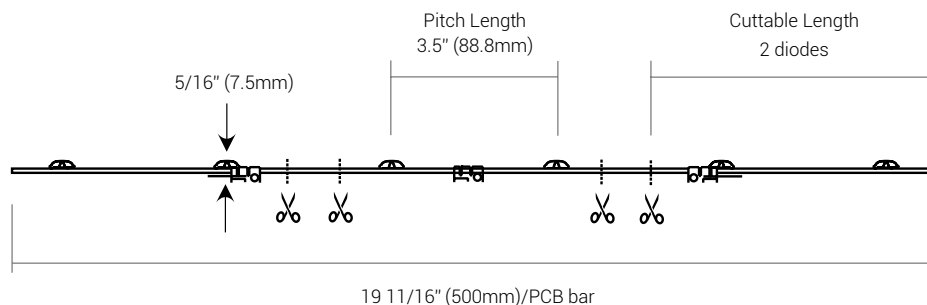
- Backlighting
- Large Formats
- Backlit Stone
- Backlit Graphics

## LIGHT TEMPERATURE



## OVERVIEW

### FRONT VIEW



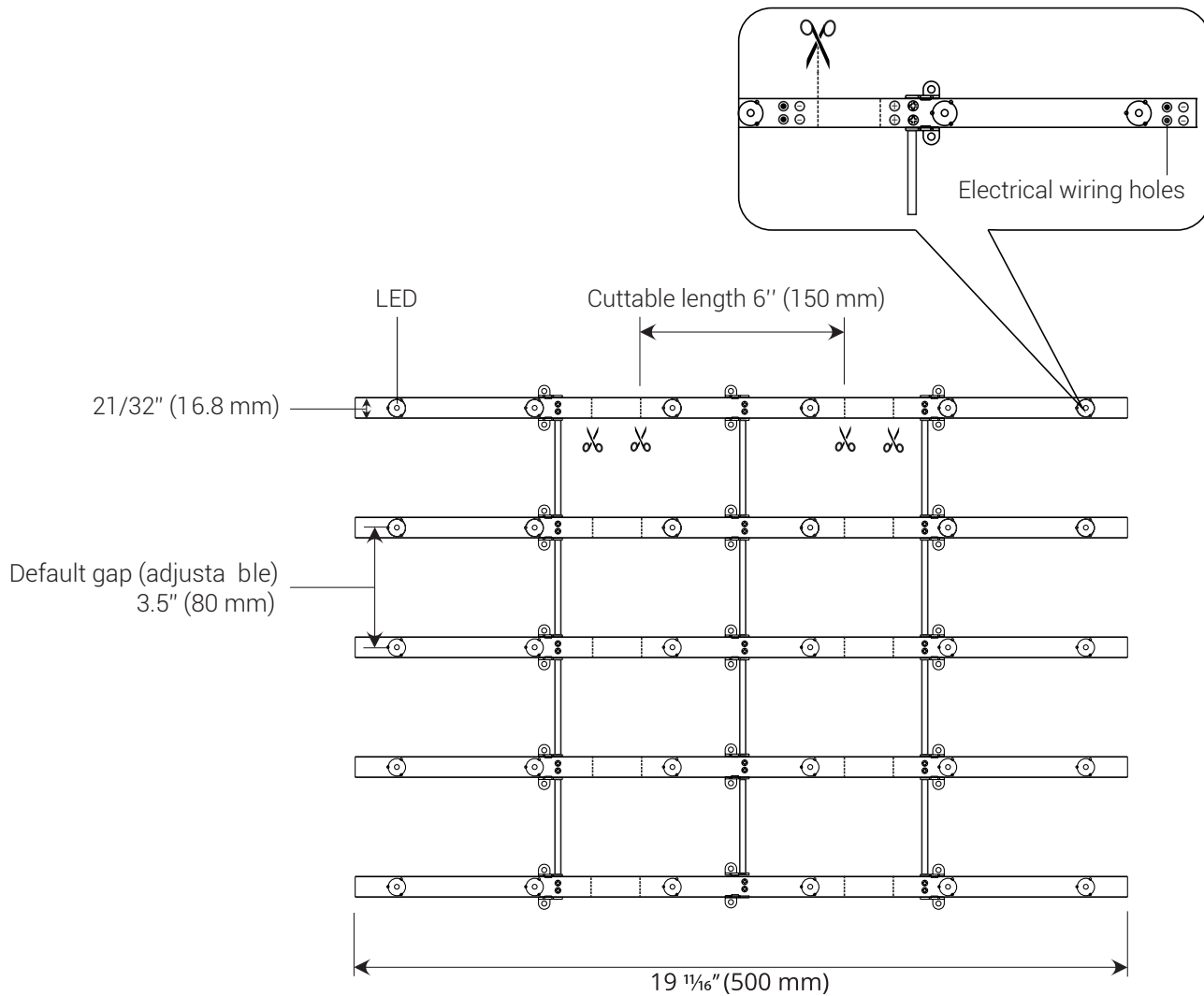


6 LED tunable white lattice  
(cuttable every 2 diodes)

**Part#:** 410100-002-24-5.2

## OVERVIEW

### FRONT VIEW





# LumiCurtain™ Tunable



6 LED tunable white lattice  
(cuttable every 2 diodes)

**Part#:** 410100-002-24-5.2

## SPECIFICATIONS

### PHYSICAL SPECIFICATIONS

<b>Part Number</b>	410100-002-24-5.2
<b>Series</b>	LLM24-06P-05-T
<b>Beam Angle</b>	165° optically clear lens
<b>CRI</b>	≥ 80
<b>Color Temperature</b>	1800 K - 6500 K Tunable
<b>Mounting</b>	Mounted with screws
<b>Operating Temperature</b>	-30 °C (-22 °F) ~ +40 °C (+104 °F)
<b>Environment</b>	Dry location only (indoor)
<b>Cuttable Length</b>	~ 6" (150 mm)

### ELETRICAL SPECIFICATIONS

<b>Input Voltage</b>	24V DC
<b>Power Consumption</b>	5.2 W/module Max.
<b>Lumens</b>	130-325 lm/module
<b>Wire Size</b>	14 AWG 3 wire, plenum wire
<b>Wiring</b>	Each curtain must have direct connection to power supply. Do not wire curtains in series.
<b>Connector</b>	Standard 5' (1500 mm), optional 10' (3000 mm) • plenum bare wire
<b>Certification</b>	UL recognized component, Class 2 UL listed assemblies available, UL listed



6 LED tunable white lattice  
(cuttable every 2 diodes)

**Part#:** 410100-002-24-5.2

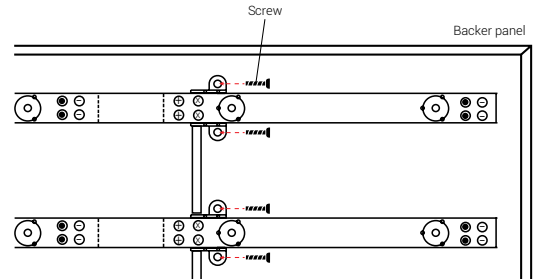
## MOUNTING OPTIONS

- ⚠ **• Ensure mounting materials are non-conductive**
- Only install in dry environments**

- LumiCurtain is shipped fully assembled in packaged rolls
- Unroll LumiCurtain and ensure bars are hanging evenly, with no kinks in the wires
- Mount LumiCurtain securely using one of these options:

### OPTION 1: SURFACE MOUNTED

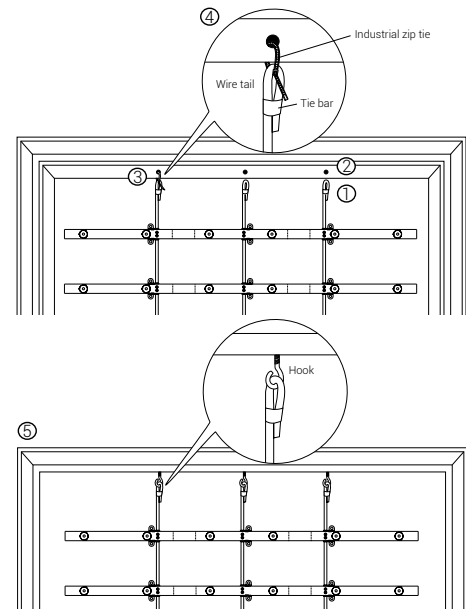
Secure the LED boards to a backer panel (such as plywood) using screws (not included).



### OPTION 2: TENSION MOUNTED

1. Create a loop in each LumiCurtain wire tail (there are two at the top and two at the bottom of the LumiCurtain unit). Secure loops with a tie bar (not included)
2. Drill one hole in your housing per wire tail
3. Loop an industrial zip tie through each hole in your housing
4. Secure each LumiCurtain wire loop to the housing with the industrial zip tie
5. Alternatively, insert a hook in the housing. Hang your LumiCurtain wire loops on the hooks

**LumiCurtain mounting varies based on application. Contact your Omnify representative before attempting any other mounting option.**





6 LED tunable white lattice  
(cuttable every 2 diodes)

**Part#:** 410100-002-24-5.2

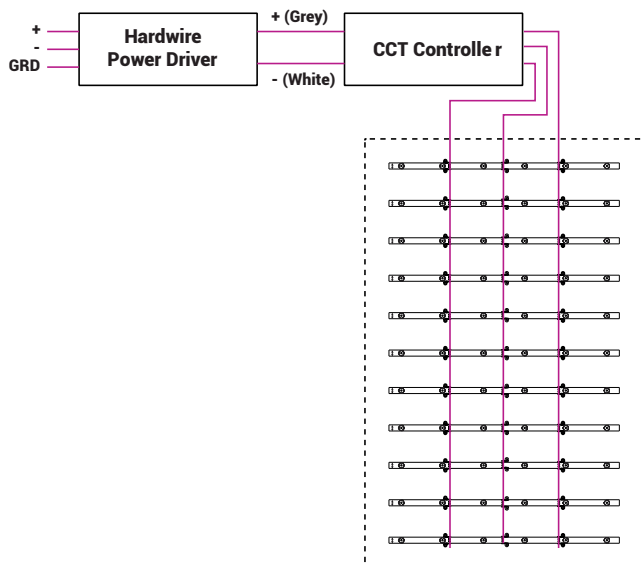
## WIRING

Determine your system components, including a 24V Class 2 power adapter, as well as optional dimmer.

### WIRING WITH HARDWIRE POWER ADAPTERS:

1. Turn off power to your system at the main breaker;
2. Install your system components. Refer to wiring guidelines for each component to build your system;
3. Check connections and turn on power at the main breaker.

**Each bar with 6 LEDs uses 5.8 W. Ensure the load is only 80% of the maximum load of the power adapter.**





6 LED tunable white lattice  
(cuttable every 2 diodes)

**Part#:** 410100-002-24-5.2

## ACCESSORIES AND OPTIONS

### POWER ADAPTORS OPTIONS

#### Hardwire

951012	24V	60W
950037	24V	60W
950038	24V	96W
950039	24V	150W

#### 5 in 1 Dimming Driver

951004-24-096	24V	96W
951006-24-192	24V	192W

\* Other power options available on request

### CONTROLLER OPTIONS

#### DMX Decoder

970032	24V	Max. 96W
970033	24V	Max. 96W

#### Power Repeater

970037	12-36V
--------	--------

#### DMX Wall Controller

970041	CCT Tunable	12-24VDC
--------	-------------	----------

#### RF CCT Driver

951029	24V	90W
--------	-----	-----

#### RF CCT Wall Controller

970043	12-24VDC
--------	----------

\* Other controller options available on request

### LIGHTBOX FRAME OPTIONS

Model	Profile
<b>Engage</b>	
82200	1 1/16"
<b>Focus</b>	
82220	2"
82250	3"

### MOUNTING OPTIONS

Option 1	Surface Mounted
Option 2	Tension Mounted



# LumiCurtain™ Tunable



6 LED tunable white lattice  
(cuttable every 2 diodes)

**Part#:** 410100-002-24-5.2

## ORDER INFORMATION

LLM24-XXPXX

Product #	Size	Color Temperature	Voltage	Wattage	Mounting
410100-002	z-y: Custom Size	901-1800 K - 6500 K	24-24V DC	5.2 W/Module	1-Surface Mounting 2-Tension Mounting

## EXAMPLE

**410100-002-11x14-901-24-5.2-1**

The specification number immediately above can be deconstructed as follows:

- LumiCurtain; Dimensions(CS)-11"X14"; CCT Tunable; Voltage-24V; Wattage-5.2W/ft; Surface Mounted