



6 LED super bright lattice
(cuttable every 2 diodes)

Part#: 410100

Job Information <i>Fill out project details for this product below</i>			
Project		Location	
Contact		Date	
Product Number		Fixture Type	

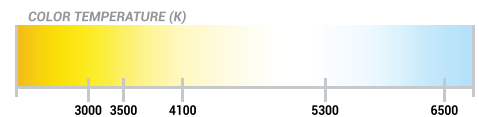
Designed to meet the dual requirements of cost-efficient large format lighting and high brightness levels, LumiCurtain offers bright, even illumination with an energy-efficient design for interior spaces or large format graphic backlighting.



APPLICATIONS

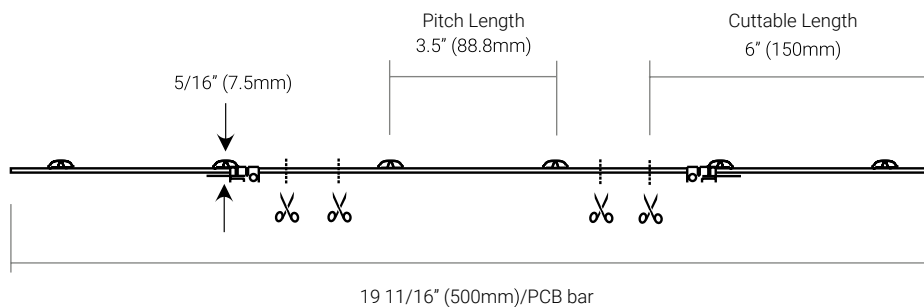
- Backlighting
- Feature Wall
- Backlit Ceiling
- Backlit Graphics

LIGHT TEMPERATURE



OVERVIEW

FRONT VIEW



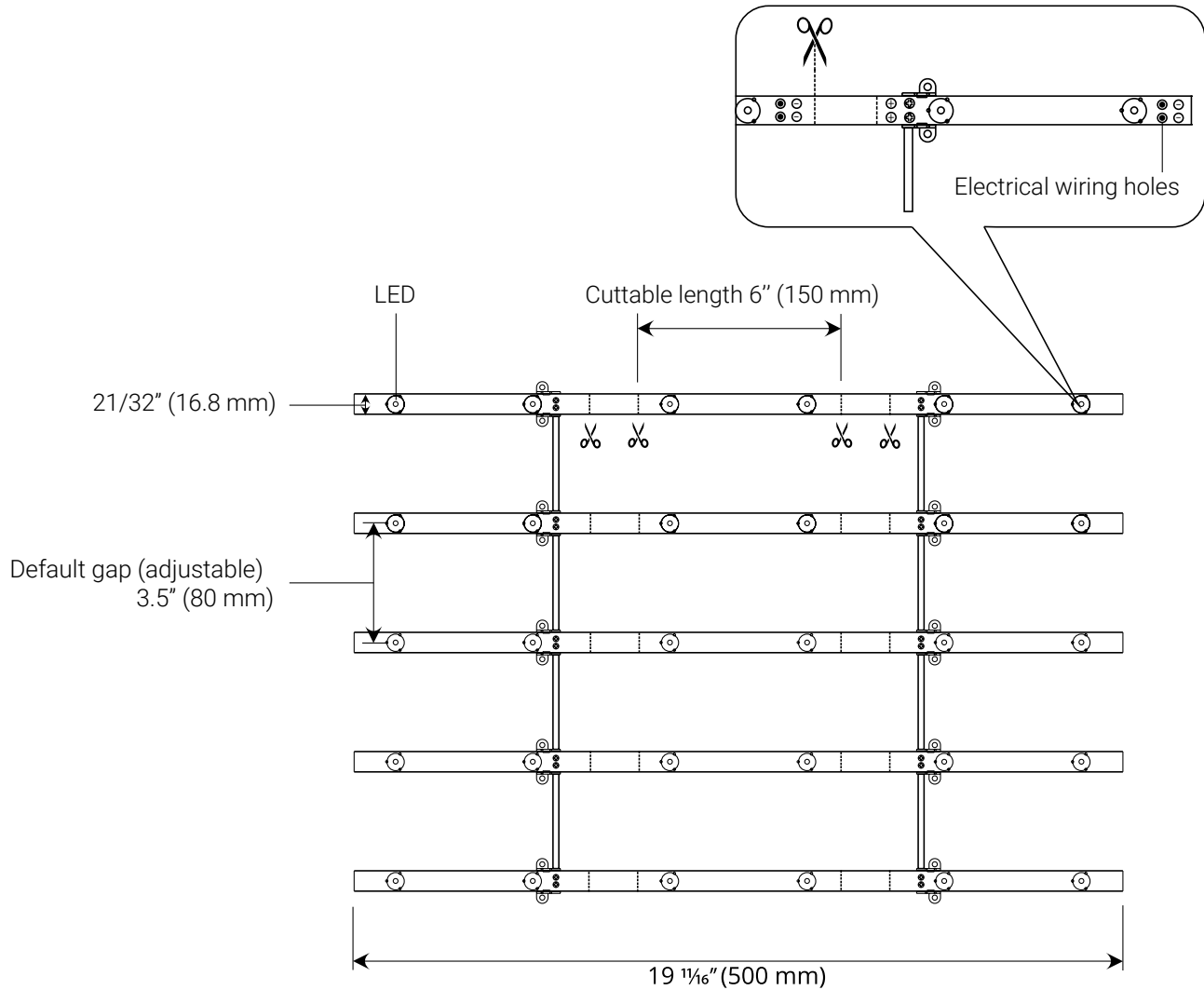


6 LED super bright lattice
(cuttable every 2 diodes)

Part#: 410100

OVERVIEW

FRONT VIEW





6 LED super bright lattice
(cuttable every 2 diodes)

Part#: 410100

SPECIFICATIONS

PHYSICAL SPECIFICATIONS

Part Number	410100
Series	LLM24
Beam Angle	170° optically clear lens
CRI	≥ 80
Color Temperature	3000 K • 3500 K • 4100 K • 5300 K • 6500 K
Lumen Maintenance	L70 @ 50,000/hrs
Mounting	Mounted with screws
Operating Temperature	-30 °C (-22 °F) ~ +40 °C (+104 °F)
Environment	Dry location only (indoor)
Cuttable Length	6" (150 mm)

ELECTRICAL SPECIFICATIONS

Input Voltage	24V DC
Power Consumption	6W/module, 2.3W/module
Wire Size	14 AWG 2 wire
Wiring	Each curtain must have direct connection to power supply. Do not wire curtains in series.
Connector	Standard 5' (1500 mm), optional 10' (3000 mm) • Plenum wire • Bare wire
Certification	UL recognized component (E362079)(TBC), Class 2 UL listed assemblies available, UL listed (E346146)



6 LED super bright lattice
(cuttable every 2 diodes)

Part#: 410100

MOUNTING OPTIONS

- ⚠ **• Ensure mounting materials are non-conductive**
- Only install in dry environments**

- LumiCurtain is shipped fully assembled in packaged rolls
- Unroll LumiCurtain and ensure bars are hanging evenly, with no kinks in the wires
- Mount LumiCurtain securely using one of these options:

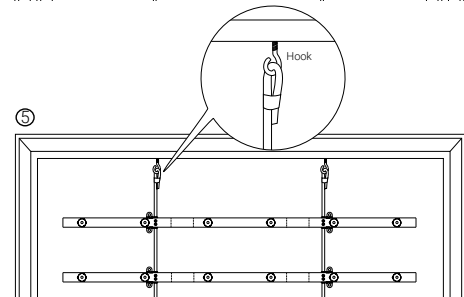
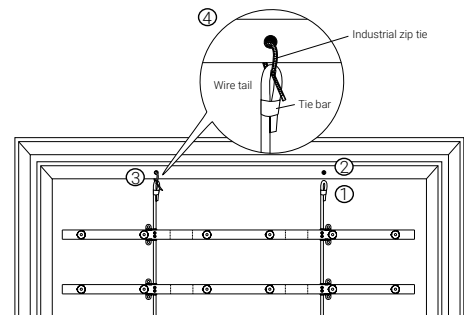
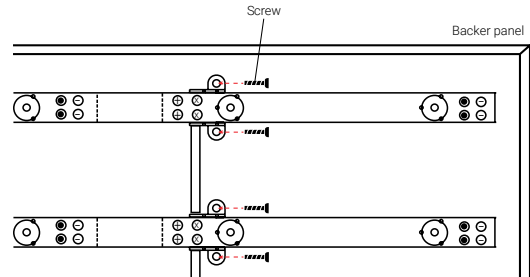
OPTION 1: SURFACE MOUNTED

Secure the LED boards to a backer panel (such as plywood) using screws (not included).

OPTION 2: TENSION MOUNTED

1. Create a loop in each LumiCurtain wire tail (there are two at the top and two at the bottom of the LumiCurtain unit). Secure loops with a tie bar (not included)
2. Drill one hole in your housing per wire tail
3. Loop an industrial zip tie through each hole in your housing
4. Secure each LumiCurtain wire loop to the housing with the industrial zip tie
5. Alternatively, insert a hook in the housing. Hang your LumiCurtain wire loops on the hooks

LumiCurtain mounting varies based on application. Contact your Omnify representative before attempting any other mounting option.





6 LED super bright lattice
(cuttable every 2 diodes)

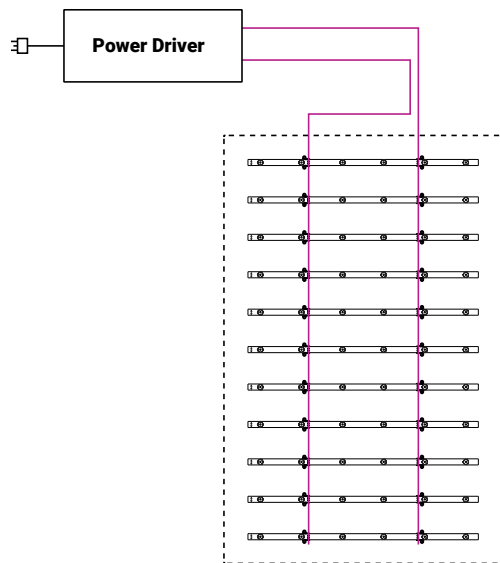
Part#: 410100

WIRING

- Determine your system components, including a 24 V Class 2 power adapter, as well as optional dimmer.

WIRING WITH PLUG-IN POWER ADAPTERS:

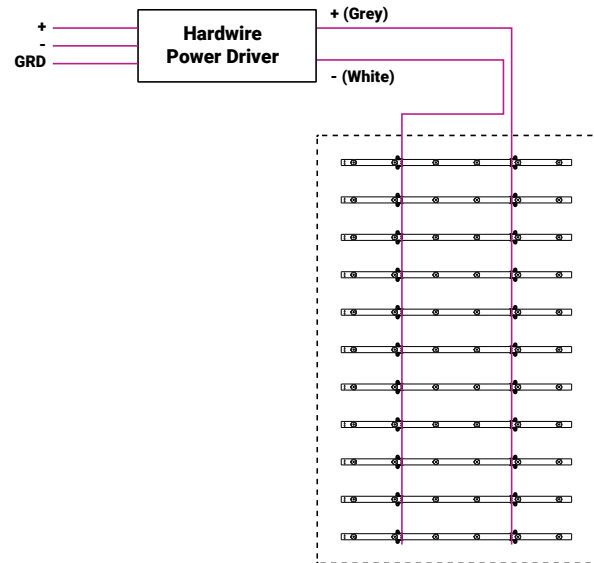
- Use a plug-in adapter to connect the LumiCurtain to your power source.



WIRING WITH HARDWIRE POWER ADAPTERS:

1. Turn off power to your system at the main breaker;
2. Install your system components. Refer to wiring guidelines for each component to build your system;
3. Check connections and turn on power at the main breaker.

Each bar with 6 LEDs uses 6 W. Ensure the load is only 80% of the maximum load of the power adapter.





6 LED super bright lattice
(cuttable every 2 diodes)

Part#: 410100

ACCESSORIES AND OPTIONS

POWER ADAPTORS OPTIONS

Plug-in (Class 2)

950021	24V	24W
950024	24V	90W
950035	24V	96W
950036	12V	60W
950036	24V	60W

Hardwire

951012	24V	60W
950037	12V	60W
950037	24V	60W
950038	24V	96W
950039	24V	150W

5 in 1 Dimming Driver

951004-24-096	24V	96W
951006-24-192	24V	2x96W

* Other power options available on request

CONTROLLER OPTIONS

Inline Dimmer with Remote

970007	24V	144W
--------	-----	------

Rotatory Style Dimmer

970002	24V	192W
--------	-----	------

Inline Plug and Play Dimmer

970014	24V	96W
--------	-----	-----

LED Dimming Module

970001	24V	98W
--------	-----	-----

* Other controller options available on request

CONNECTOR OPTIONS

DC jack 5'

80008	White
80006	Black

DC jack 10'

80009	White
80007	Black

2 pin connector cable 5'

980048	White
980049	Black

Omnify Connector Hub

980047	White
--------	-------

LIGHTBOX FRAME OPTIONS

Model Profile

Engage	
82200	1 1/16"

Focus

82220	2"
82250	3"

MOUNTING OPTIONS

Option 1	Surface Mounted
Option 2	Tension Mounted



6 LED super bright lattice
(cuttable every 2 diodes)

Part#: 410100

ORDER INFORMATION

LLM24-XXPXX

Product #	Size	Color Temperature	Voltage	Wattage
410100	z-y: Custom Size	300-3000 K 350-3500 K 410-4100 K 530-5300 K 650-6500 K	24-24V DC	6 6 W/Module 2.3 2.3 W/Module
Connectors	-	-	-	Mounting
80008 DC jack 5' White 80006 DC jack 5' Black 80009 DC jack 10' White 80007 DC jack 10' Black 980048 2 Pin Connector 5' cable White 980049 2 pin Connector 5' cable Black 980047 Omnify Connector Hub				1 Surface Mounted 2 Tension Mounted 3 N/A

EXAMPLE

410100-11x14-650-24-6-80008-1

The specification number immediately above can be deconstructed as follows:

- LumiCurtain; Dimensions(CS)-11"X 14"; Color Temperature-6500K; Voltage-24V; Wattage- 6W/ft; DC Jack 5' White; Surface Mounted