



Job Information <i>Fill out project details for this product below</i>			
<b>Project</b>		<b>Location</b>	
<b>Contact</b>		<b>Date</b>	
<b>Product Number</b>		<b>Fixture Type</b>	

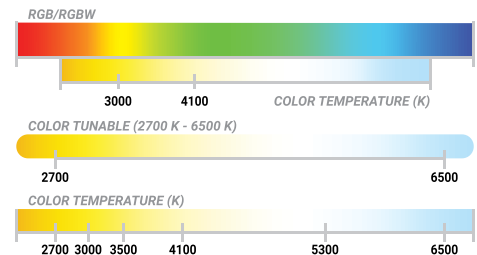
Built with the tightest pitch LEDs for virtually no hotspots, it can light up both sides of tight angles with even light distribution. Perfect for use in retail displays and architectural applications.



## APPLICATIONS

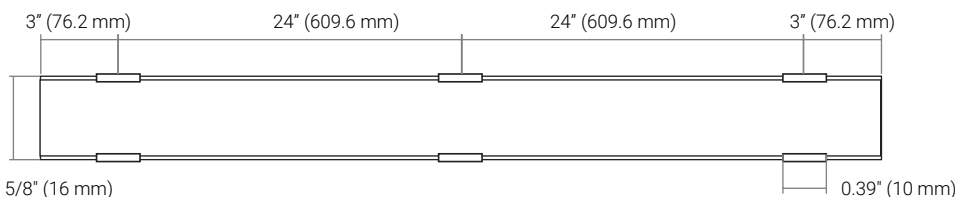
- Shelves
- Cove Lighting
- Corner Lighting
- Displays

## LIGHT TEMPERATURE

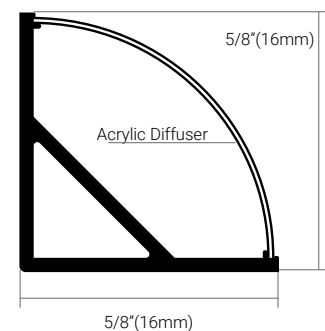


## OVERVIEW

### FRONT VIEW



### PROFILE VIEW



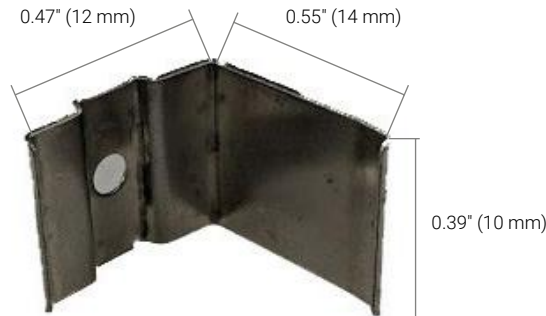


## SPECIFICATIONS

PHYSICAL					
Part Number 221501	OmniLine*	OmniLine Plus	Tunable	RGB	RGBW
Series	LMS				
Chip	OmniChip				
Beam Angle	120°				
CRI	≥ 90				
Color Temperature	2700K, 3000K, 3500K, 4100K, 5300K, 6500K	2700K, 3000K, 3500K, 4100K, 5300K, 6500K	2700K-6500K	RGB	W(3000K), W(4100K)
LED Count/ft	36/ft	72/ft	48/ft	25/ft	29/ft
Lumens	175-197 lm/ft <b>2.4W</b> 350-390 lm/ft <b>4.4W</b>	<b>2.4W/ft</b> - 180lm/ft <b>3.7W/ft</b> - 326-360lm/ft	370-420 lm/ft	131 - 142 lm/ft	<b>RGB:</b> 12-50lm/ft <b>W:</b> 244 lm/ft
Operating Temperature	-30 °C (-22 °F) ~ +40 °C (+104 °F)				
Environment	Dry location only (indoor)				
Pitch Length	8.3 mm	4mm	12.5 mm	12 mm	10.3 mm
Cutttable Length	12V: 3 LEDs - <b>1"</b> 24V: 6 LEDs - <b>2"</b>	7 LEDs <b>1.16"</b>	12V: 3 LEDs - <b>1.8"</b> 24V: 3 LEDs - <b>3.9"</b>	24V: 6 LEDs - <b>2.8"</b>	24V:12 LEDs - <b>4.9"</b>
Width	5 m (16')/spool - 4mm	4mm	5 m (16')/spool - 6mm	5 m (16')/spool - 6mm	5 m (16')/spool - 6mm
Maximum Run	12V - <b>8.25 ft</b> 24V- <b>10 ft</b>	24V-6.6 ft	12V - <b>8.25 ft</b> 24V - <b>10 ft</b>	12V - <b>5 ft</b> 24V- <b>6.6 ft</b>	24V - <b>10 ft</b>
ELECTRICAL					
	OmniLine*	OmniLine Plus	Tunable	RGB	RGBW
Input Voltage	12V DC 24V DC	24V DC	12V DC 24V DC	12V DC 24V DC	24V DC
Power Consumption	2.4W/ft 4.4W/ft	2.4 W/ft (Low wattage) 3.7 W/ft (Standard)	5.5 W/ft (Tunable) using Controllers (4 W/ft per each channel, 8W/ft Max)	4.4 W/ft (Maxi)	4.9 W/ft (Maxi)
Wiring	Ex-10 cable - UL E336579 • PS-2 cable - UL E336579 • PS-4 cable - UL E336579 • PS-6 cable - UL E338684				
Connector	Quick Connecting Wires (sold separately) 3000K/4100K/5300K/6500K : Quick connector on one end, 2.1/5.5mm barrel plug on the other end, 20 AWG 2 wires wrapped with jacket in color black in 6" length. 3000K/4100K/5300K/6500K : Quick connector on one end, 2-pin male plug connector on the other end, 20AWG, wires in white/grey in 6" length.				
Certification	UL listed (E346146)				

## OVERVIEW

### MOUNTING CLIPS



## MOUNTING OPTIONS

• Mount OmniStick securely using one of these options:

### OPTION 1: SCREW MOUNTING

With Extra C Clips: Ideal for Longer OmniSticks

Additional clips are provided to support OmniSticks longer than 24" (609.6 mm).

1. Screw supplied C clips into substrate using screws provided, spacing them evenly, approximately 24" (609.6 mm) apart.
2. Remove any optional diffuser from OmniStick by gently pulling it outwards.
3. Snap OmniStick into C clips.
4. Re-apply any optional diffusers

### OPTION 2: MAGNET MOUNTING

#### C. On Metallic Surfaces

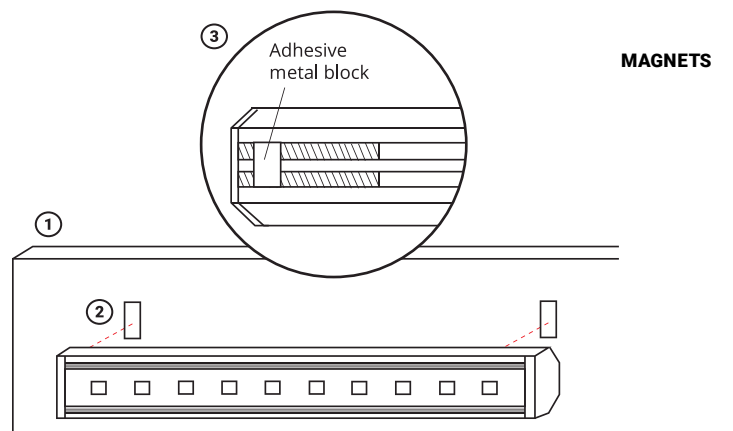
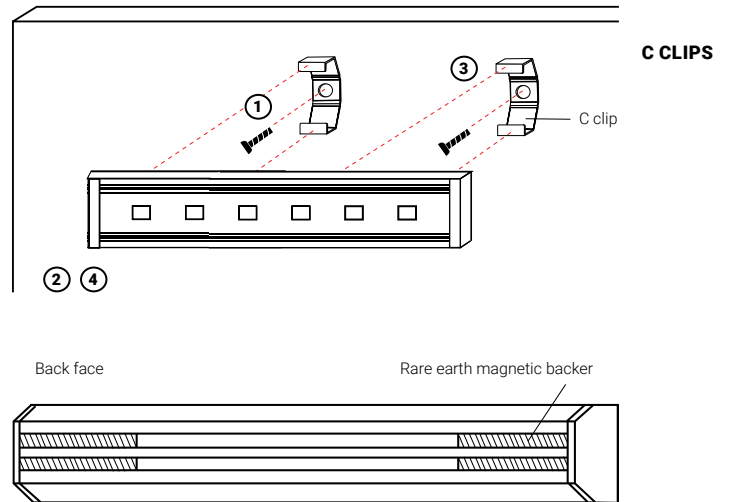
OmniStick may be ordered with built-in rare earth magnetic backers (upon request). These backers will be located no more than 24" (609.6 mm) apart.

1. Position OmniStick against metallic surfaces, ensuring metal frame or substrate is secure.

#### D. On Non-Metallic Surfaces with Adhesive Metal Block

OmniStick may be ordered with adhesive metal blocks (upon request) to allow magnetic installation on non-metallic surfaces.

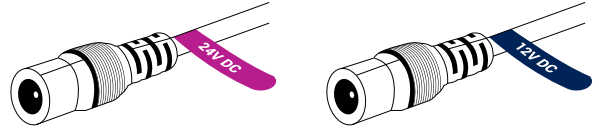
1. Clean and dry substrate.
2. Remove backing from adhesive metal block and apply on the substrate, being sure to place them in alignment with where OmniStick's magnetic backers will sit.
3. Place OmniStick backers against the adhesive magnetic blocks on the substrate





## WIRING

- Determine your system components, including a Class 2 power adapter, as well as optional dimmer and controller (if required). Use only UL certified power adapters with the power output that coordinates with your input voltage. Do not apply 24 VDC to 12 VDC Light Bar.



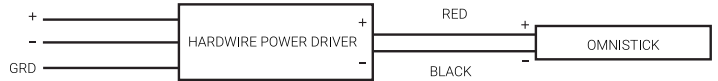
### WIRING WITH PLUG-IN POWER ADAPTORS:

- Use a plug-in adaptor to connect the Light Bar to your power source.

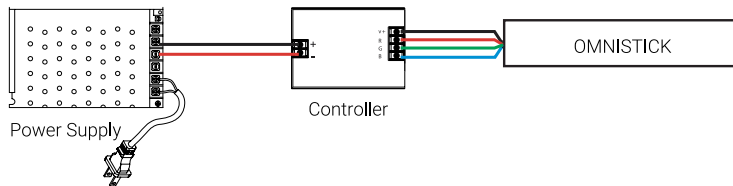


### WIRING WITH HARDWIRE POWER ADAPTORS:

- Turn off power to your system at the main breaker;
- Install your system components. Refer to wiring guidelines for each component to build your system;
- Check connections and turn on power at the main breaker.



### WIRING RGB/W



### WIRING TUNABLE





## ACCESSORIES AND OPTIONS

### POWER ADAPTORS OPTIONS

#### Plug-in (Class 2)

950003	12V	60W
950021	24V	24W
950024	24V	90W
950035	24V	96W
950036	12V	60W
950036	24V	60W

#### Hardwire

951005	12V	60W
951009	12V	150W
951012	24V	60W
950037	12V	60W
950037	24V	60W
950038	24V	96W
950039	24V	150W

#### 5 in 1 Dimming Driver

951003-12-060	12V	60W
951004-24-096	24V	96W
951006-24-192	24V	2x96W

#### LED Power Driver (Class 2)

950003-12-060	12V	60W
---------------	-----	-----

\* Other power options available on request

#### Dimmable Driver

950007	12V	60W
951010	12V	150W

#### RGBW Dimmable Driver

950035	RF RGBW Driver	24VDC
950036	RF RGBW Remote Control	

### CONTROLLER OPTIONS

#### DMX Decoder

970032	12-36VDC	4x (96-288)W
970033	12-24VDC	5x (96-192)W

#### Inline Dimmer with Remote

970007	12V	72W
970007	24V	144W

#### Rotatory Style Dimmer

970002	5V	40W
970002	12V	96W
970002	24V	192W

#### Inline Plug and Play Dimmer

970014	12V	48W
970014	24V	96W

#### LED Dimming Module

970001	12V	60W
970001	24V	98W

#### CCT Controller

970025	12V/24V	Max. 60W
--------	---------	----------

#### DMX Wall Controller

970041	CCT Tunable	12-24VDC
970042	RGBW	12-24VDC

#### RF CCT Driver

951029	24V	90W
--------	-----	-----

#### RF CCT Wall Controller

970043	12-24VDC	
--------	----------	--

#### Power Repeater

970037	12-36VDC	4x (60-180)W
--------	----------	--------------

\* Other controller options available on request



## ACCESSORIES AND OPTIONS

### CONNECTOR OPTIONS

#### DC jack 5'

80008	White
80006	Black

#### DC jack 10' (W)

80009	White
80007	Black

#### 2 pin connector cable 5'

980048	White
980049	Black

#### Omnify Connector Hub

980047	White
--------	-------

### WIRING OPTIONS

Option 1	EX-10 Cable
Option 2	PS-2 Cable
Option 3	PS-4 Cable
Option 4	PS-6 Cable

### MOUNTING OPTIONS

Option 1	C-Clips
Option 2	Magnet Mounting



## ORDER INFORMATION

### LMS Series

Product #	Size	Color Temperature		Voltage	Wattage
221501	z-y: Custom Size	270-2700 K 300-3000 K 350-3500 K 410-4100 K 530-5300 K 650-6500 K	000 Tunable(2700 K - 6500 K) 900 RGB 950 RGBW (3000K) 951 RGBW (4100K) 100 Static red 110 Static green 120 Static blue	12-12V DC 24-24V DC	2.4 2.4 W/ft (Low Wattage) 3.7 3.7 W/ft (OmniLine Plus) 4.4 4.4 W/ft (Standard) 4.9 4.9 W/ft (RGBW) 5.5 5.5 W/ft (Tunable)
Connectors	Wiring	Mounting	-	-	-
80008 DC jack 5' White 80006 DC jack 5' Black 80009 DC jack 10' White 80007 DC jack 10' Black 980048 2 Pin Connector 5' cable White 980049 2 pin Connector 5' cable Black 980047 Omnify Connector Hub	1: Ex-10 cable 2: PS-2 cable 3: PS-4 cable 4: PS-6 cable	1 Screw Mounting (C-Clips) 2 Magnets			

## EXAMPLE

**221501-11-530-24-2.4-80008-1-1**

The specification number immediately above can be deconstructed as follows:

- OmniStick Corner Light Bar; Dimensions(CL)-11"; Color Temperature-5300K; Voltage-24V; Wattage-2.4 W/ft; DC Jack 5' White(80008); Ex-10 cable (1); Mounting C-Clips (1)